

John Deere TH 6x4 Gator ROPS Cab



** Shown with optional features

John Deere JDGator-040 ROPS cab

This ROPS is designed and built to fit:
John Deere TH 6x4 Gator.

Designed and built by:

Tektite Manufacturing Inc:
P.O. Box 639, 427 Buffalo Street
Winkler, MB, Canada
R6W 4A8
PH: 204-331-3463
parts@tektite.ca

One-year standard product warranty provided by Tektite Manufacturing Inc.
www.tektite.ca / www.tektitecabs.com



DO NOT PROCEED FURTHER UNTIL YOU HAVE READ THE INFORMATION BELOW.

- 1) Always wear personal protective equipment.
- 2) A minimum of two people is necessary to safely install the cab.
- 3) This ROPS cab is heavy. A lift assist device such as an overhead hoist or high lift forklift is required.
- 4) Ensure your work area is well ventilated. The installation requires the starting of the tractor which will produce dangerous carbon monoxide fumes.
- 5) Read through the entire installation manual first.
- 6) Follow the installation instructions in order.
- 7) Reading the operators manual prior to using the ROPS cab.

Tektite Manufacturing Incorporated thanks you for purchasing a John Deere TH 6x4 Gator ROPS cab! Tektite has worked very hard to design and build this ROPS product and we hope that it provides you with many years of protection.

Tektite's products are designed to provide safe and dependable service during operation when they are properly maintained according to the instructions. Please read this installation manual carefully before installing and using this product.

The photos/illustrations provided in this manual may not provide all the detail needed and are for reference only.

All directions provided are from the reference point of the tractor seat facing the steering wheel. All left and right references are from this viewpoint.

For reference, please fill in the information below. This will assist your dealer in providing service for this product. It is advisable that this information be provided to your insurance company as well in the event that the tractor is lost or damaged.

Vehicle Model: _____

Tektite Serial Number: _____

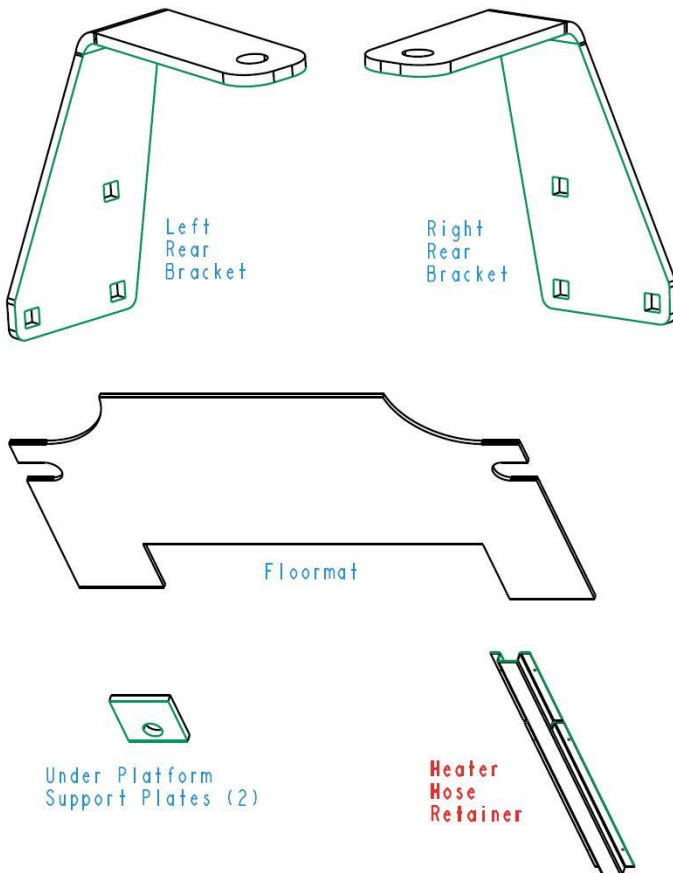
Date of Purchase: _____

Dealer Name: _____

Standard Parts List:

| Description | Qty |
|---|-----|
| Bolt, Hex, 5/8" x 3", Gr. 8, Yellow | 2 |
| Bolt, Hex, 5/8" x 3 1/2", Gr. 8, Yellow | 2 |
| Washer, Heavy, 1/4", Flat | 4 |
| Nut, Flange, 5/8", Gr. 8, Yellow | 2 |
| Nut, Hex, 5/8", Gr. 8, Yellow | 2 |
| Nut, Flange, 3/8", Yellow | 6 |
| Bolt, Carriage, 3/8" x 1", Yellow | 6 |
| Wire Loop, 1/4" | 2 |
| Wire Loop, 3/8" | 2 |
| Under Platform Spacer Plates (1/4" thick) | 2 |

| Description | Qty |
|-------------------|-----|
| Rear Brackets | L&R |
| Platform Floormat | 1 |



Water Heater Parts List:

| Description | Qty |
|--|------------|
| Water Heater w/mount bracket installed | 1 |
| Heater Hose Retainer | 1 |
| Screw, Pan-Head, #8 x 1/2" | 6 |
| Straight Fitting, 3/8NPT x 3/8" Barb | 2 |
| Hose Clamp, HS-6 | 2 |
| Hose Clamp, HS-24 | 4 |
| Radiator Hose Splicer, 1 1/8" | 1 |
| Zip Ties, Standard | 10 |
| Wire Loom, 3/8" | 6 FT |

Standard Cab Installation Instructions:

Park the tractor in a well-ventilated area.

1. Locate the hole shown in the photo below. Drill out to 11/16". Repeat for the right side.



2. Remove the factory fuel cap. Install the provided fuel extension hose that is installed into the new fuel cap provided. Ensure that the rubber washer ring is located between the steel plate on the weldment and the outer plastic ring of the tank. This will ensure that there will be no fuel leaks inside of the cab.



3. Un-bolt and remove the middle wheel and tire from both the passenger and driver's sides.
4. Tilt the two operator seats forward. Take the left rear bracket and attach to the mount plate sticking out from the chassis with the provided $3/8" \times 1"$ carriage bolts and nuts. Tightly fasten.



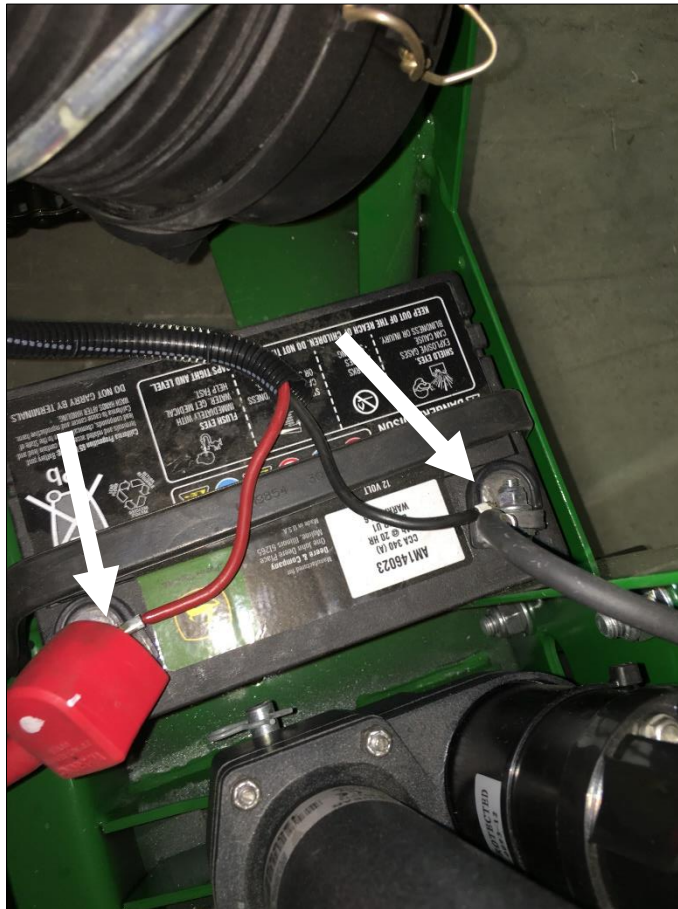
5. Using the top hole in the rear bracket as a guide, drill a $5/8"$ hole upwards through the fender plastic.

6. Repeat for the right rear bracket installation and drilling of a hole.
7. Un-bolt and remove the hood shield on cab prior to cab installation.
8. Attach a lift strap or chain to the front and rear lift hoops on the frame. Using an overhead hoist or forklift, prepare to lift the frame off of the shipping pallet. Remove the shipping fasteners and lift off of pallet. Lift cab over the Gator, and slowly lower straight down onto the mounting plates in the rear, and the platform in the front.
9. Use 5/8" x 3" hex bolt, 1/4" thick 5/8" washer, and 5/8" **flange** nuts for each isolator fastener at the two **rear** locations. The 1/4" washer goes on top in order to properly compress the isolator.



10. Use one 5/8" x 3 1/2" hex bolt, 1/4" thick 5/8" washer, 5/8" **hex** nut, and 1/4" plate spacer for each isolator fastener at the two **front** fasteners. The 1/4" washer goes on top in order to properly compress the isolator. The 1/4" plate fastener goes underneath the platform.
11. Once all fasteners are started, torque the rear mounting bracket fasteners to 47 ft-lbs. All four 5/8" isolator fasteners can be torqued to 200 ft-lbs.
12. Take red power and black ground wires that are at the bottom of the left rear tube and route along the mounting bracket and into the engine bay. Connect the black ground wire to the negative post on the battery. Use the provided loop, shorten wire if necessary, then solder connector to the black wire. Connect the red power wire to the

positive post on the battery. Use the provided loop, short the red wire if necessary, then solder connector to the red wire. Each option on the cab is fused individually behind the switch plate.

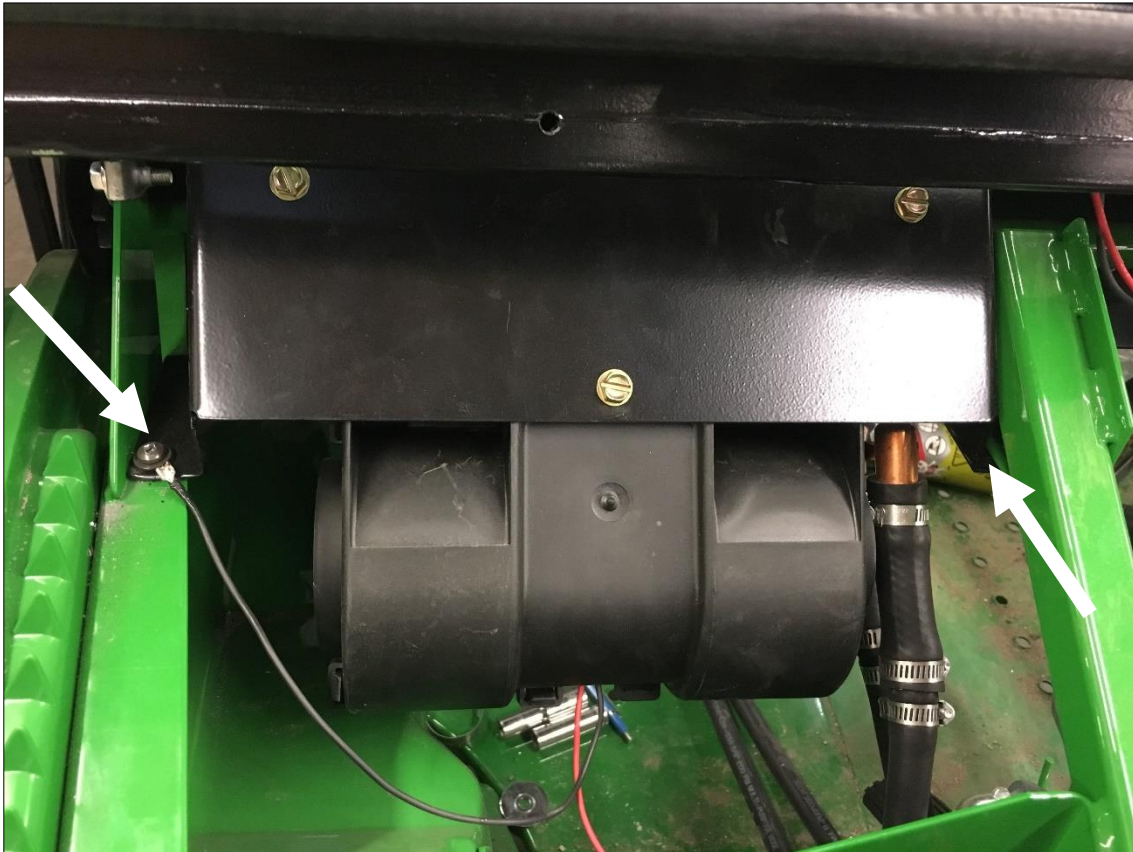


13. Connect the fuel hose extension to the welded in fuel cap barb on the cab. Tighten into place with the provided hose clamps.



For the heater, follow the instructions below:

14. Open the hood on the Gator.
15. Position the heater assembly into the glove box area and fasten to the steel sub-structure as shown with factory hardware. Ensure the wire loop is under the screw on the right side to ensure the fan motor will be grounded.





16. Route the heater hoses down from the glove box and rearward along the foot platform. Notch out the area in the center black plastic console for the heater hoses to run back into the engine bay as shown below.



17. Pull the heater hose until the hoses are sitting nice and flat on the foot platform. Place the heater hose retainer cover onto the platform to locate the ideal location. The retainer will bend easily into place while locating onto the platform. Use the provided #8 screws to retain the hose ducting. **Be CAREFUL when drilling holes through platform!**



18. Drain the engine coolant.

19. Remove the plug shown below. Take one of the 3/8NPT x 3/8" barb straight fittings and install into the open port. Use Teflon tape around the threads to prevent water leaks.



20. Locate the radiator hose shown above. Cut out a 3" section of the hose. Install provided radiator hose splicer and clamp into place with provided HS-24 hose clamps, double clamp each side.
21. Install the remaining 3/8NPT x 3/8" barb straight fitting into open port on the splicer. Use Teflon tape around the threads of the fitting to prevent water leaks.
22. Route the heater hoses in the engine bay and rearwards to the fittings.
23. Route hose to rearmost fitting first, cut hose if necessary and then install onto open barb. Use HS-6 hose clamp provided to secure hose to fitting.
24. Route remaining hose to the remaining fitting, shorten hose if necessary, then install onto open barb. Use HS-6 hose clamp provided to secure hose to the fitting.
25. Use provided zip ties to secure hoses on Gator away from moving and hot parts.
26. Re-fill the engine coolant.
27. Start engine, turn heater on and run engine to purge cooling system of air. Run with the radiator cap off at high engine RPM in order to build up heat in coolant system so that the thermostat will open and start purging the system of air.
28. Please note, the thermostat will need to cycle a few times before the system will product HOT air at the louvres. If the system is not making hot air, it may need to be driven around to shake the air bubbles out of the system.

29. Take the floormat and position it on either side of the heater hose ducting in the operator foot platform. Install by gluing the floormat into place with an aerosol glue. 3M High Strength 90 is recommended.



30. Use a black silicone seal and seal cab panels to the machine to minimize any locations of air and water entry into the cab.

John Deere TH 6x4 Gator ROPS Cab



** Shown with optional features

John Deere JDGator-040 ROPS cab

This ROPS is designed and built to fit:
John Deere TH 6x4 Gator.

Designed and built by:

Tektite Manufacturing Inc:
P.O. Box 639, 427 Buffalo Street
Winkler, MB, Canada
R6W 4A8
PH: 204-331-3463
parts@tektite.ca

One-year standard product warranty provided by Tektite Manufacturing Inc.
www.tektite.ca / www.tektitecabs.com



DO NOT PROCEED FURTHER UNTIL YOU HAVE READ THE INFORMATION BELOW.

- 1) Always wear personal protective equipment.
- 2) A minimum of two people is necessary to safely install the cab.
- 3) This ROPS cab is heavy. A lift assist device such as an overhead hoist or high lift forklift is required.
- 4) Ensure your work area is well ventilated. The installation requires the starting of the tractor which will produce dangerous carbon monoxide fumes.
- 5) Read through the entire installation manual first.
- 6) Follow the installation instructions in order.
- 7) Reading the operators manual prior to using the ROPS cab.

Tektite Limited Warranty

Tektite Manufacturing Inc. (“Tektite”) warrants to the original purchaser (the “Claimant”), that Tektite products will be free from defective materials or workmanship, under normal use and service, for a period of (1) full year from the original invoice date. Tektite’s liability under this Limited Warranty is limited to the repair or (at the discretion of Tektite) the replacement of those components of its products, which were manufactured by Tektite that are defective in materials or workmanship. Tektite shall have no liability under this Limited Warranty unless Tektite is notified of the defect during the stated Warranty Period.

Limitations and Exclusions: Tektite has no responsibility to a Claimant under this Limited Warranty or on any other basis for any of the following:

- a) defects caused, in whole or in part, by accident or misuse, negligence or failure to maintain the product or component;
- b) products or components sold to a customer on an “as is” basis;
- c) wiper blades, light bulbs, fuses, clear vinyl or other consumables;
- d) glass where the point of failure has not been preserved intact and delivered to Tektite for analysis of the cause of the failure;
- e) products or components which have been modified after shipping from Tektite to its customer;
- f) transportation charges for returned, repaired or replacement items;
- g) defects that are subject of a Tektite initiated recall where the Claimant fails to comply with the terms of the recall notice that comes to the attention of the Claimant;
- h) components of Tektite products that are manufactured by third parties (Tektite’s only obligation in relation to such components shall be to accord to the Claimant the benefit of any transferable warranty accorded to Tektite by third party manufacturer);
- i) defects in workmanship or materials in products or components that are repaired or replaced by Tektite unless Tektite is notified of the new defect within the Warranty Period that applied to the original product or component that has been repaired or replaced;
- j) defects that result, in whole or in part, from inadequate engineering or specifications provided to Tektite by its customer;
- k) any actual or alleged deficiency in technical or engineering services or advice provided by Tektite to its customer whether provided for valuable consideration or otherwise;
- l) consequential damages, or any other damages whether foreseeable or not, resulting from the defect or any delay in remedying the defect;
- m) any breach or alleged breach of any implied warranty of merchantability or fitness for particular purpose of use;
- n) defects or part failure due to misuse or failure to follow recommended cab installation procedures; and
- o) travel expenses, including mileage.

This Limited Warranty expresses the entire obligation of Tektite, its officers, directors, agents and employees, to its customer or any Claimant in respect of any defect in workmanship, or materials of any product or component sold or manufactured by Tektite whether on grounds of breach of contract, negligence or other tortious liability, breach of express or implied warranty or other basis in law of any jurisdiction.

Acceptance by a customer of delivery of products of Tektite constitutes acceptance of this Limited Warranty in lieu of all other warranties express or implied including without limitation all implied warranties of merchantability or fitness for particular purpose or use and constitutes acceptance by customer of the exclusions and limitations of the liability of Tektite set out above. Once received, the cab should have ALL exterior cardboard, Styrofoam wrapping removed for immediate inspection of product to ensure that no damages have occurred during transportation. Outer coverings should stay off the cab and the cab be stored indoors in a controlled environment. The warranty card must be completed and returned to Tektite.

Warranty claims should be reported to parts@tektite.ca. A warranty claim form and instructions will be provided at this time. Warranty work not pre-authorized by Tektite may not be covered by this warranty agreement. Labor rate and time allowances are fixed by Tektite. Approved warranty claims will be issued in the form of credits applied to customer account.

Safety Precautions

Safety First

Read these instructions carefully. It is essential that you read the instructions and safety regulations before you attempt to assemble or use the features that are on this cab/ROPS.

Danger: Indicates an immediate hazardous situation which, if not avoided, will result in death or serious injury.

Warning: Indicates a potentially hazardous situation which, if not avoided, may result in death or serious injury.

Caution: Indicates a potentially hazardous situation which, if not avoided, may result in minor or moderate injury.

Important: Indicates that cab or property damage may result if instructions are not carefully followed.

NOTE: All products are designed to give safe, dependable service if they are operated and maintained according to instructions. It is the owner's responsibility to be certain anyone operating this product reads this manual, and all other applicable manuals, to become familiar with this cab and all safety precautions. Failure to do so could result in serious personal injury or cab damage. If you have any questions, consult your dealer. Read and understand this manual before operation.

NOTE: A safe operator is the best assurance against accidents. All operators, no matter how experienced they may be, should read this operator manual and all other related manuals before attempting to operate features in this cab/ROPS and operate the base tractor. Please read the following section and pay particular attention to all safety recommendations contained in this manual and those labelled on the cab and on the tractor.

General Safety

1. Never let an unqualified or untrained driver operate the tractor.
2. Keep a fire extinguisher, with ABC rating securely fastened in the ROPS. Maintain it and be familiar with its use.
3. Do not carry passengers.
4. Never operate the tractor in a closed building for a prolonged period. Ensure adequate ventilation is present, as engine exhaust fumes are poisonous and can kill.
5. Always keep sleeves, jackets or other loose clothing relatively tight and belted. Loose clothing may catch on moving parts and result in severe personal injury or death.
6. Provide a first-aid kit, securely attached inside of the ROPS for use in case of accident.
7. Never jump from the tractor. There is a danger of tripping or falling on protruding parts.
8. Use steps and hand holds when mounting and dismounting the tractor, or for servicing components too high to reach from the ground.
9. When seated in the ROPS, fasten seat belt before starting the engine. A proper seat belt must be worn at all times when using a ROPS.
10. Safety devices and shields are intended to protect operators from injury or death. Under no circumstances should they be modified, disabled or removed.

Operating Safety

1. Always operate the tractor controls while sitting in the operator's seat.
2. Lock seat in position and buckle seat belt before operating the tractor.
3. Avoid abrupt sharp turns at high speeds.
4. On sloped terrain, do not make sharp turns as machine stability could be compromised.
5. Operate the tractor smoothly, avoid abrupt starts and stops.
6. Keep all shields in place when operating the tractor.
7. Do not operate the tractor when you are tired, sick, or impaired.
8. Never operate the tractor in confined areas; visibility next to the tractor is reduced. Injury to bystanders or damage to the ROPS or equipment may result.

Safety

Carefully review the procedures given in this manual and the tractor operator's manual with all operators annually. It is important that all operators become familiar with, and follow safety precautions. Operating instructions must be given to everyone using the tractor before operation and at least once yearly thereafter in compliance with OSHA Regulations 1928.57 (United States).

Safe Operation on Rough Terrain

1. Drive the tractor slowly on hillsides and curves to eliminate the danger of tipping. Avoid slopes which are too steep for safe operation. Avoid sharp uphill turns.
2. Always drive slowly enough over rough ground or obstructions. Drive at speeds slow enough to ensure your safety.
3. When driving out of a ditch, gully, or up a steep hillside, engage the clutch slowly. Avoid sharp uphill turns.
4. When descending steep grades, select a sufficiently low gear to maintain control with minimum use of braking.
5. Use caution when driving near the edge of a ditch or gully. It may cave in, causing the tractor to roll over.
6. Be alert when operating near trees, slopes and around obstructions. Tree branches can cause damage to ROPS components.

Maintenance Safety

1. Remove mud, crop residue, chains, and tools from steps and operator's platform. They may interfere with pedal operation or entry/exit from tractor.
2. When servicing components are too high to reach from the ground use steps and handholds. Do not use fenders or shields that are not designed as steps.

Safe Highway Operation

1. Before operating the tractor on, or near, public roadways check with your local authorities for any local regulations that will affect you.
2. Equip towed implements with slow moving vehicle (SMV) signs when traveling on public roads.
3. Install additional lights on implement rear to safeguard against rear end collisions.
4. Use hazard warning flashers as required by law when transporting or driving on public roads. If the tractor had warning flashers removed when mounting the ROPS, they must be replaced prior to operation on public roads.
5. Keep to the right, yielding right-of-way traffic, especially if pulling implements. Pull off the road and stop to allow motorists to pass. Drive on the road shoulder, if permitted by law.
6. Use extreme caution when pulling heavy loads at road speeds. Avoid hard application of the tractor brakes at high speed.
7. Always drive slowly near curbs, approaches or ditches.
8. If equipped, ensure headlights are aligned so they will not blind the operators of oncoming vehicles. If the tractor is not equipped with turn signals and law requires them, install them prior to operating on or near public roads.
9. Use your turn signals, checking for traffic well in advance of turning. If the tractor is not equipped with turn signals and law requires them, install them prior to operating on or near public roads.

Safety Decals

1. Keep decals clean. Remove dirt with a wet clean cloth when necessary.
2. Replace safety decals if destroyed, missing, painted over or unreadable. If any safety decals are covered or obscured when the ROPS is mounted, it is recommended that you purchase replacement decals from the tractor manufacturer. Mount them in a readable location at, or near, their original location before operating the tractor.
3. New ROPS decals and tractor decals are available from your tractor dealer.

ROPS Safety

1. Install the ROPS in accordance with Tektite mounting instructions. Failure to do so may affect the ROPS ability to withstand a roll over.
2. If the ROPS is subjected to alteration, structural damage or involved in an over turn accident, the entire structure must be replaced. Failure to do so may result in injury or death in the event of a roll over.
3. If the tractor is not equipped with seat belts, purchase approved seat belts from the tractor manufacturer or Tektite prior to operating the tractor.
4. Always fasten seat belts prior to operating the tractor.
5. Always operate the tractor from the operator's seat.
6. Remove mud, crop residue, chains and tools from steps and operator's platform. They may interfere with pedal operation or entry/exit from the tractor.
7. Remove all loose chains, tools, and equipment from the operator's platform. Failure to do so may cause injury or death in the event of a roll over.
8. Do not install the ROPS on a tractor model that the ROPS is not designated for (compatible tractor designations are printed on the ROPS serial number plate). The ROPS is designed specifically for individual models to ensure ROPS requirements will be met. Installing the ROPS on a non designated tractor may result in injury or death.

Emergency Exits

The ROPS cab has two doors. Either one can be used during an emergency.

Operating Instructions

Important

The following section locates, identifies, and briefly describes the functions of all cab controls. All operators should familiarize themselves with control location and function prior to operating the tractor. Failure to do so may result in unsafe operation of the tractor and possible injury or death to operators and bystanders.

There is one switch plate located in the cab. The following switches are available, and their functionality is described.



Cab Switch Plate

1. Front Wiper Rocker Switch (standard)

Low position: Off

High position: On

Note: indicator light activates when wiper is on.

2. Rear Wiper Rocker Switch (not available on all models)

Low position: Off

High position: On

Note: indicator light activates when wiper is on.

3. Front Work Light Rocker Switch (standard)

Low position: Off

High position: On

Note: indicator light activates when work lights are on.

4. Rear Work Light Rocker Switch (optional)

Low position: Off

High position: On

Note: indicator light activates when work light is on.

5. Washer Momentary Switch (Front and Rear optional)

Low position: On

Mid position: Off

High Position: On

6. Beacon Rocker Switch (optional)

Low position: Off

High position: On

Note: indicator light activates when work lights are on.

7. Water Heater Fan Rocker Switch (standard)

Low position: Off

High position: On

Note: indicator light activates when heater is on.

Standard and optional features are individually fused, and the fuses can be accessed behind the plug in the middle of the switch-plate.

Cab Circuit Protection

The Tektite ROPS cab is wired to provide maximum protection against individual circuit overload. All optional components are fused internally behind the cab switch plate. Cab wiring is direct to the tractor battery. DO NOT leave options activated when tractor is not running as battery run down can occur.

Please note: Tektite does have a key switch power option to provide maximum protection against accidental battery rundown and circuit overload. A relay is ignition activated and prevents the operator from accidentally leaving fan motors, lights on after turning the tractor off and leaving for the day. A circuit breaker is provided to prevent the cab electrical components from drawing more power than they should be able to from a dead short. This option can come with your cab if selected or field installed at a later date.

John Deere TH 6x4 Gator ROPS Cab

The John Deere TH 6X4 Gator ROPS Cab is designed to provide ROPS protection along with reasonable winter weather protection. The cab design for this model features glass windows at all window locations.

If you are going to be running the tractor with the cab on during the summer months, un-hook the gas shocks on each door, and then lift the doors off of the pin hinges.

After your ROPS Cab has been installed:

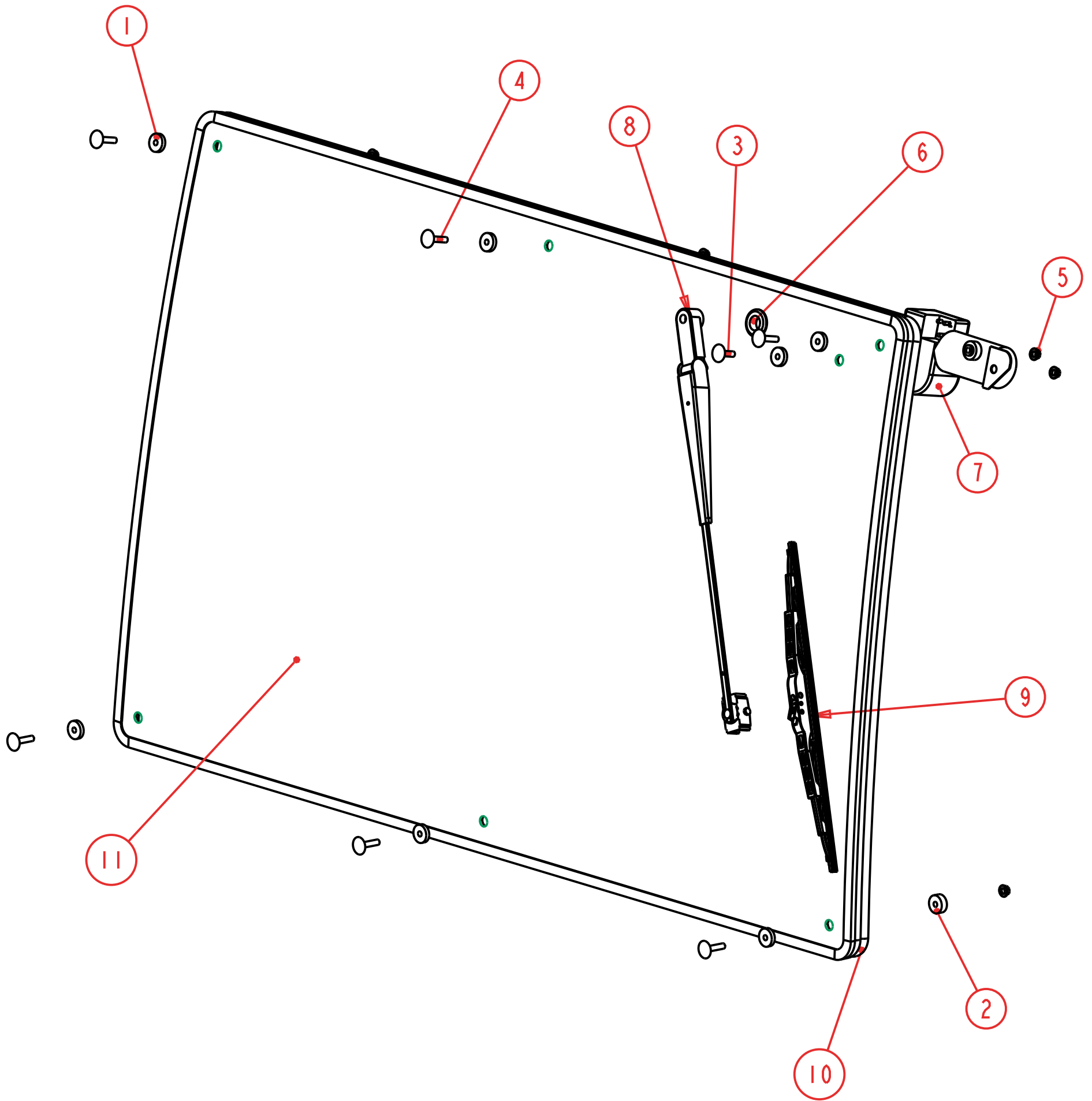
Before starting a tractor equipped with a Tektite ROPS cab:

1. Clear the operator platform of all tools. Tools left in or around the ROPS and tractor can cause operator interference which could lead to bodily injury and/or damage the machine.
2. Inspect the ROPS and tractor to ensure all bolts are tight and re-tighten if required.
3. Ensure that all pedals, levers, and controls have adequate clearance for normal operation.
4. Ensure that all electrical components of both the ROPS and tractor operate normally.
5. Ensure your door latches properly onto the striker pin. Immediately after installation, the ROPS frame may flex slightly from installation, and the door latch will need to be re-aligned for proper operation. Loosen the striker pin, striker mounting plate and door latch as necessary to get a proper alignment of the door striker.

Service Parts Breakdowns:

Following are parts breakdowns for components that may require service parts replacement during the life of the ROPS. If you require replacement parts, please contact the dealer that you purchased the ROPS from and indicate which parts you require.

| Index | Service Part # | File Name | Description | Qty |
|-------|----------------|--------------------|--|-----|
| 1 | A00-0013 | TEKT-0009 | 5MM Bushing | 8 |
| 2 | A00-0014 | THICK-BUSHING | 8MM Bushing | 6 |
| 3 | A00-0019 | STEP-BOLT1-4X1 | Step Bolt, 1/4" x 1", MB | 1 |
| 4 | A00-0020 | STEP-BOLT1-4X1-1-4 | Step Bolt, 1/4" x 1 1/4", MB | 6 |
| 5 | A00-0021 | FLANGE-NUT-1-4 | Flange Nut, 1/4", YD | 7 |
| 6 | A00-0033 | 315-080 | Rear Wiper Shaft Grommet | 1 |
| 7 | A00-0043 | WWF-MOTOR | WWF Wiper Motor, 1" Shaft | 1 |
| 8 | A00-0429 | TEKT-ASM-074 | WWF, Adjustable Radial Arm, J-Hook, Long | 1 |
| 9 | A00-0430 | TEKT-ASM-073 | Wiper Blade, 16", J-Hook | 1 |
| 10 | J05-0004 | JDTXCAB-057 | Windshield Seal | 1 |
| 11 | J05-0008 | JDTXCAB-042 | Windshield | 1 |



Tektite Manufacturing Inc.
427 Buffalo Str, Box 639, Winkler MB, R6W 4A8, Canada

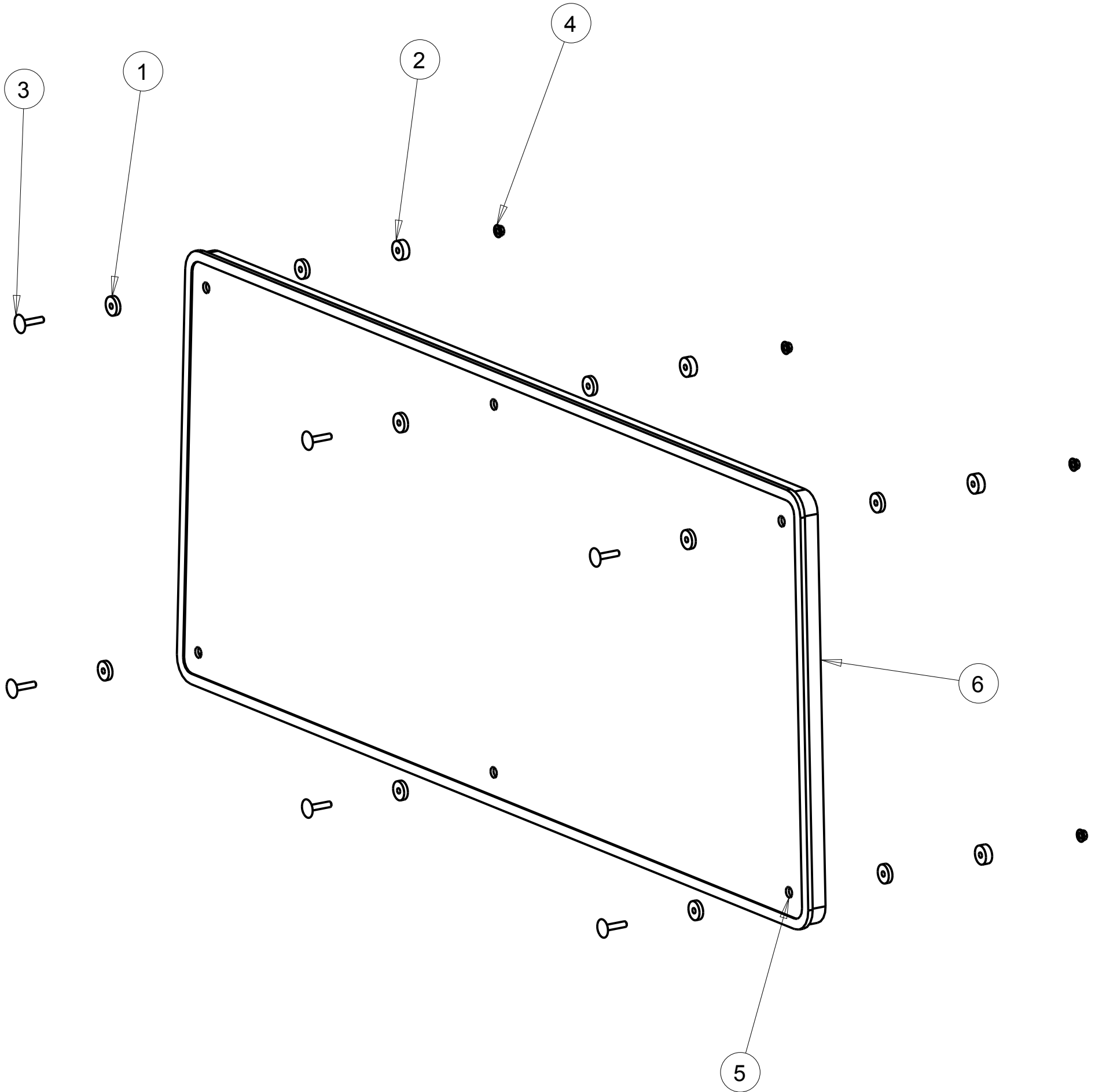
Notice of Confidentiality

This material is property of Tektite Manufacturing Inc and is not to be used by the recipient for any purpose other than the purpose for which it was transmitted. The material remains the property of Tektite and shall be returned upon request. The material may not be reproduced or disclosed to third parties without the written consent of Tektite.

Tolerances:
Unless otherwise specified
X.X = $\pm 1/16"$
Angular = $\pm 1.0^\circ$

| | | | |
|-----------------------------------|----------------------------|--|--------------------------------------|
| Req'd: | CNC: | Description: Windshield Assembly | |
| Drawn By: <i>Daryl Furkalo</i> | Date: 2025-03-25 | Units: Imp. | File Name: JDTXCAB-ASM-010 |
| Checked By: | Date: | Size: B | |

| Index | Service Part # | File Name | Description | Qty |
|-------|----------------|--------------------|------------------------------|-----|
| 1 | A00-0013 | TEKT-0009 | 5MM Bushing | 12 |
| 2 | A00-0014 | THICK-BUSHING | 8MM Bushing | 6 |
| 3 | A00-0020 | STEP-BOLT1-4X1-1-4 | Step Bolt, 1/4" x 1 1/4", MB | 6 |
| 4 | A00-0021 | FLANGE-NUT-1-4 | Flange Nut, 1/4", YD | 6 |
| 5 | J05-0006 | JDTXCAB-038 | Rear Window | 1 |
| 6 | J05-0011 | JDTXCAB-056 | Rear Window Seal | 1 |



Notice of Confidentiality

This material is property of Tektite Manufacturing Inc and is not to be used by the recipient for any purpose other than the purpose for which it was transmitted. The material remains the property of Tektite and shall be returned upon request. The material may not be reproduced or disclosed to third parties without the written consent of Tektite.

Tolerances:

Unless otherwise specified

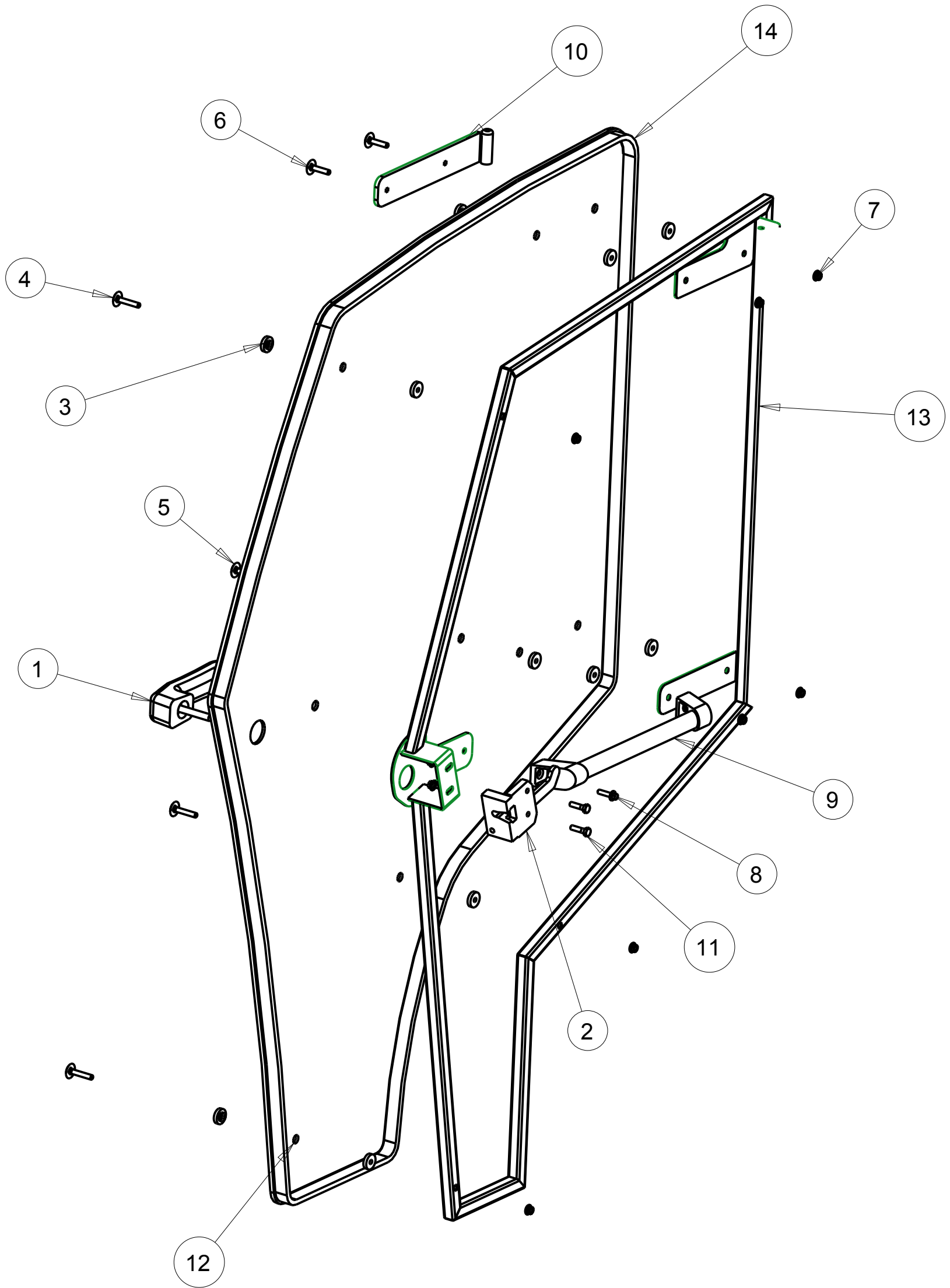
X.X = ± 1/16"
Angular = ± 1.0 °

Tektite Manufacturing Inc.

24157 Hwy 3, Box 639, Winkler MB, R6W 4A8, Canada

| | | | | | |
|-----------------------------------|--|---------------------|--|---|----------------------------------|
| Req'd: | | CNC: | | Description: Rear Window Assembly | |
| Drawn By: <i>Daryl Furkalo</i> | | Date: 2011-01-13 | | Units: Imp. | File Name: JDTXCAB-ASM-009_OP |
| Checked By: | | Date: | | Size: B | |

| Index | Service Part # | File Name | Description | Qty |
|-------|----------------|----------------------|-------------------------------|-----|
| 1 | A00-0001 | DLP-HANDLE | Outside Push Button Handle | 1 |
| 2 | A00-0003 | RIGHT-LATCH | Suicide Door Right Latch | 1 |
| 3 | A00-0013 | TEKT-0009 | 5MM Bushing | 16 |
| 4 | A00-0018 | STEP-BOLT1-4X1-1-2 | Step Bolt, 1/4" x 1 1/2", MB | 3 |
| 5 | A00-0019 | STEP-BOLT1-4X1 | Step Bolt, 1/4" x 1", MB | 1 |
| 6 | A00-0020 | STEP-BOLT1-4X1-1-4 | Step Bolt, 1/4" x 1 1/4", MB | 4 |
| 7 | A00-0021 | FLANGE-NUT-1-4 | Flange Nut, 1/4", YD | 10 |
| 8 | A00-0022 | FLANGE_BOLT_M6X25 | Flange Bolt, M6x25, YD | 1 |
| 9 | A00-0040 | REID-RST-160-RST-163 | Grab Handle | 1 |
| 10 | A00-0042 | TEKT-ASM-001R | Right Cab Door Hinge Weldment | 2 |
| 11 | A00-0118 | HEX-BOLT_1-4X1 | Hex Bolt, 1/4" x 1" | 2 |
| 12 | J05-0005 | JDTXCAB-037 | Door Glass | 1 |
| 13 | J05-0009 | JDTXCAB-ASM-007R | Right Door Frame Weldment | 1 |
| 14 | J05-0010 | JDTXCAB-055 | Door Weatherseal | 1 |



Tektite Manufacturing Inc.
24157 Hwy 3, Box 639, Winkler MB, R6W 4A8, Canada

Notice of Confidentiality

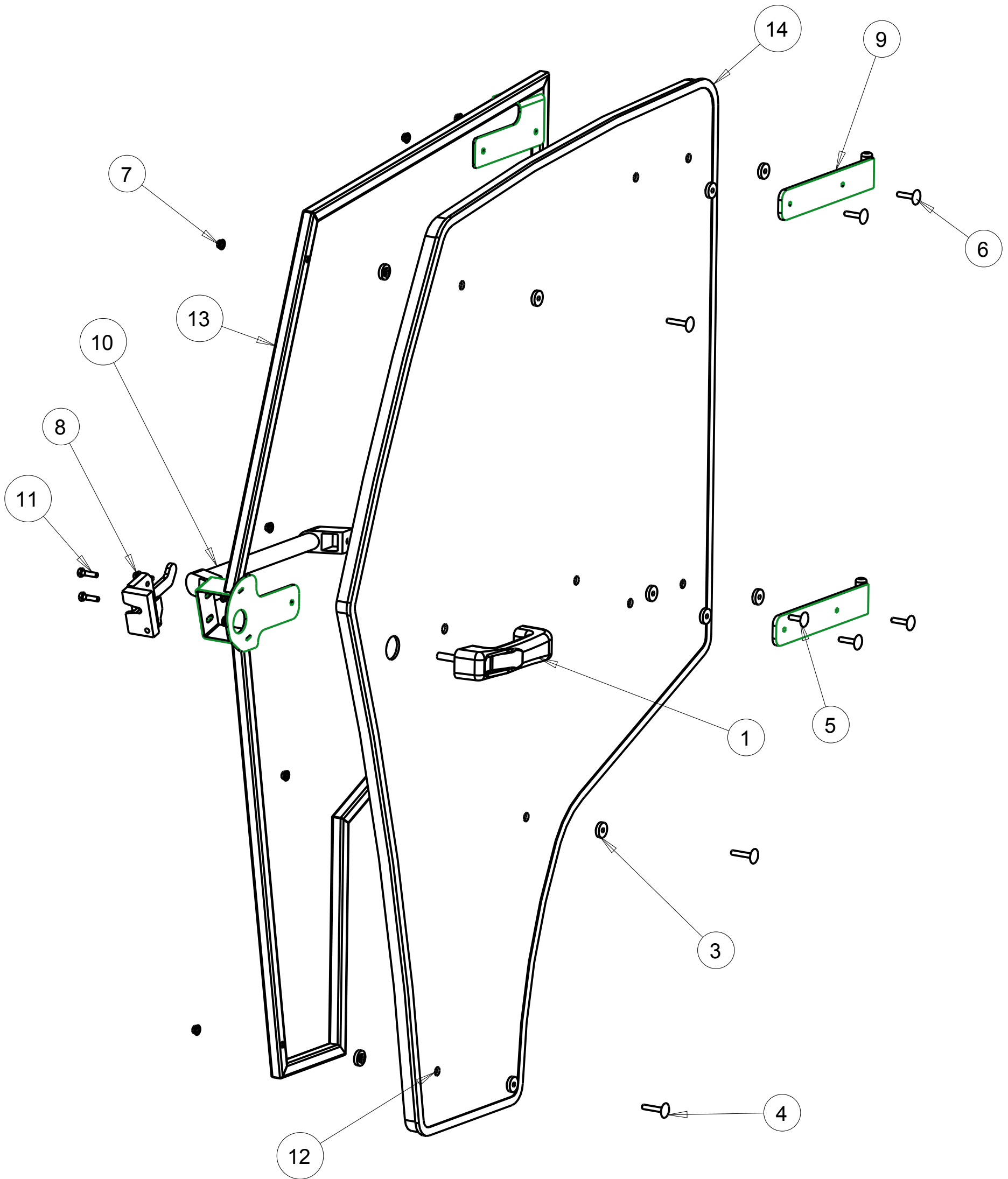
This material is property of Tektite Manufacturing Inc and is not to be used by the recipient for any purpose other than the purpose for which it was transmitted. The material remains the property of Tektite and shall be returned upon request. The material may not be reproduced or disclosed to third parties without the written consent of Tektite.

Tolerances:
Unless otherwise specified

X.X = ± 1/16"
Angular = ± 1.0 °

| | | | |
|-----------------------------------|---------------------|--|-------------------------------------|
| Req'd: | CNC: | Description: Right Door Assembly | |
| Drawn By: <i>Daryl Furkalo</i> | Date: 2011-01-13 | Units: Imp. | File Name: JDTXCAB-ASM-008_RT_OP |
| Checked By: | Date: | Size: B | |

| Index | Service Part # | File Name | Description | Qty |
|-------|----------------|----------------------|------------------------------|-----|
| 1 | A00-0001 | DLP-HANDLE | Outside Push Button Handle | 1 |
| 2 | A00-0002 | LEFT-LATCH | Suicide Door Left Latch | 1 |
| 3 | A00-0013 | TEKT-0009 | 5MM Bushing | 16 |
| 4 | A00-0018 | STEP-BOLT1-4X1-1-2 | Step Bolt, 1/4" x 1 1/2", MB | 3 |
| 5 | A00-0019 | STEP-BOLT1-4X1 | Step Bolt, 1/4" x 1", MB | 1 |
| 6 | A00-0020 | STEP-BOLT1-4X1-1-4 | Step Bolt, 1/4" x 1 1/4", MB | 4 |
| 7 | A00-0021 | FLANGE-NUT-1-4 | Flange Nut, 1/4", YD | 10 |
| 8 | A00-0022 | FLANGE_BOLT_M6X25 | Flange Bolt, M6x25, YD | 1 |
| 9 | A00-0039 | TEKT-ASM-001 | Left Door Hinge Weldment | 2 |
| 10 | A00-0040 | REID-RST-160-RST-163 | Grab Handle | 1 |
| 11 | A00-0118 | HEX-BOLT_1-4X1 | Hex Bolt, 1/4" x 1" | 2 |
| 12 | J05-0005 | JDTXCAB-037 | Door Glass | 1 |
| 13 | J05-0007 | JDTXCAB-ASM-007 | Left Door Frame Weldment | 1 |
| 14 | J05-0010 | JDTXCAB-055_LT | Door Weatherseal | 1 |



Tektite Manufacturing Inc.
24157 Hwy 3, Box 639, Winkler MB, R6W 4A8, Canada

Notice of Confidentiality

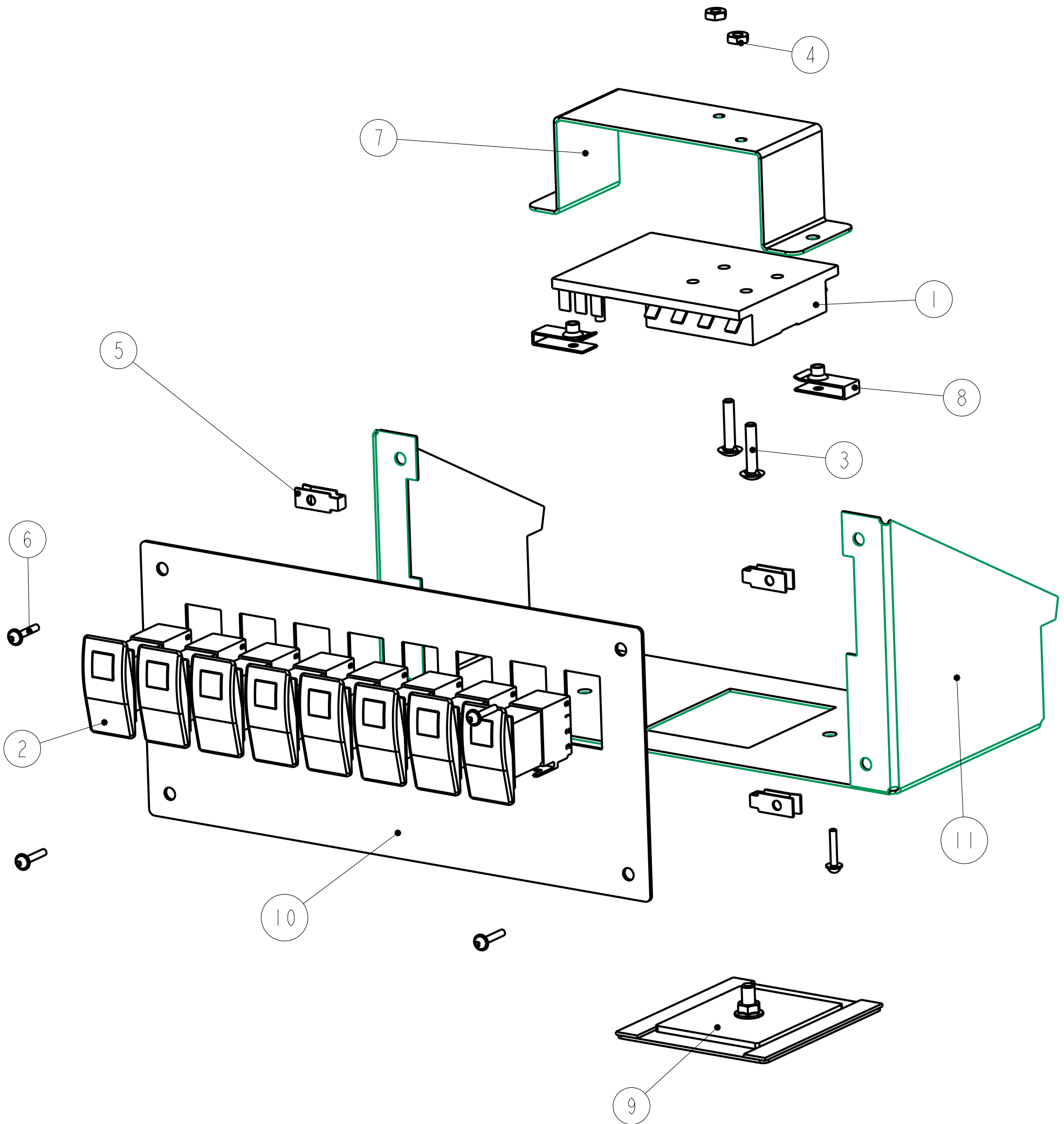
This material is property of Tektite Manufacturing Inc and is not to be used by the recipient for any purpose other than the purpose for which it was transmitted. The material remains the property of Tektite and shall be returned upon request. The material may not be reproduced or disclosed to third parties without the written consent of Tektite.

Tolerances:
Unless otherwise specified

X.X = ± 1/16"
Angular = ± 1.0 °

| | | | |
|-----------------------------------|---------------------|--|----------------------------------|
| Req'd: | CNC: | Description: Gator Door Assembly, Left | |
| Drawn By: <i>Daryl Furkalo</i> | Date: 2011-01-13 | Units: Imp. | File Name: JDTXCAB-ASM-008_OP |
| Checked By: | Date: | Size: B | |

| Index | Service Part # | File Name | Description | Qty |
|-------|----------------|------------------|----------------------------------|-----|
| 1 | A00-0024 | BUSS-15600-08-11 | Power Block/Ground | 1 |
| 2 | A00-0065 | TEKT-ASM-005 | On-Off Switch w/Lens | 8 |
| 3 | A00-0180 | BOLT_10-32X1 | Fuse Block Bolts | 2 |
| 4 | A00-0181 | HEX-NUT-10-32 | Fuse Block Nuts | 2 |
| 5 | A00-0218 | TEKT-0218 | 10-24 Panel Nut | 4 |
| 6 | A00-0354 | SCREW-10-24X3-4 | Screw, 10-24 x 3/4",MB | 6 |
| 7 | A00-0418 | TEKT-0010 | Fuse Block Retainer Bracket | 1 |
| 8 | A00-0494 | TEKT-0221 | 10-24 Panel Nut, Thick | 2 |
| 9 | A00-0531 | TEKT-ASM-086 | 2023 Fuse Cover, Magnet Assembly | 1 |
| 10 | A00-0539 | TEKT-0248 | Switch Plate, V5 ST | 1 |
| 11 | n/a | TEKT-0247 | Switchplate Mount V7 | 1 |



Tektite Manufacturing Inc.
427 Buffalo Str, Box 639, Winkler MB, R6W 4A8, Canada

Notice of Confidentiality

This material is property of Tektite Manufacturing Inc and is not to be used by the recipient for any purpose other than the purpose for which it was transmitted. The material remains the property of Tektite and shall be returned upon request. The material may not be reproduced or disclosed to third parties without the written consent of Tektite.

Tolerances:
Unless otherwise specified
X.X = ±1/16"
Angular = ± 1.0°

| | | | |
|-----------------------------------|----------------------------|---|--------------------------------------|
| Req'd: 1 req | CNC: | Description: 2023 Steel Top Fuse Block Assembly | |
| Drawn By: <i>Daryl Furkalo</i> | Date: 2023-06-02 | Units: Imp. | File Name: TEKT-ASM-088_OP |
| Checked By: | Date: | Size: B | |