



John Deere 2320 ROPS TLB Cab

** Shown with optional equipment



John Deere 2320 Series ROPS Cab (TLB)

This ROPS cab is designed and built to fit the John Deere 2320 with 270A Backhoe.

Designed and Built by:

Tektite Manufacturing Inc:

427 Buffalo Street

P.O. Box 639

Winkler, MB

R6W 4A8

Canada

PH: 204-331-3463

Fax: 204-331-4159

sales@tektite.ca

One year standard product warranty provided by Tektite.



DO NOT PROCEED FURTHER UNTIL YOU HAVE READ THE INFORMATION BELOW

- 1) Always wear personal protective equipment**
- 2) A minimum of two people is necessary to safely install the cab**
- 3) This ROPS cab is heavy. A lift assist device such as an overhead hoist or high lift forklift is required.**
- 4) Ensure your work area is well ventilated. The installation requires the starting of the tractor which will produce dangerous carbon monoxide fumes.**
- 5) Read through the entire installation manual first.**
- 6) Follow the installation instructions in order.**
- 7) Reading the operators manual prior to using the ROPS cab.**





Tektite Manufacturing Incorporated thanks you for purchasing a John Deere 2320 series ROPS cab! Tektite has worked very hard to design and build this ROPS product and we hope that it provides you with many years of ROPS protection.

Tektite's ROPS products are designed to provide safe and dependable service during operation when they are properly maintained according to the instructions. Please read this installation manual carefully before installing and using this ROPS product.

The photos/illustrations provided in this manual may not provide all the detail needed, and are for reference only.

All directions provided are from the reference point of the tractor seat facing the steering wheel. All left and right references are from this view point.

For reference, please fill in the information below. This will assist your dealer in providing service for this ROPS. It is advisable that this information be provided to your insurance company as well in the event that the tractor is lost or damaged.

Vehicle Model: _____

ROPS Serial Number: _____

Date of Purchase: _____

Dealer Name: _____



Parts List Standard Cab:

Description	Qty
Structural Washer, 1/4" thick	4
Chassis Isolator, Rubber, 5/8" (pre-installed)	4
Bolt, Hex, 5/8" x 3", Gr. 8, YD	2
Bolt, Hex, 5/8" x 4", Gr. 8, YD	2
Nut, Flange, 5/8", Gr. 8, YD	4
Under seat shield w/upholstery	1
Floor mat, operator platform	L&R
Bolt, Hex, 1/2" x 4 1/2", Gr. 8	2
Cab Lift Brackets	2
Bolt, Flange, 1/4" x 1/2", YD	8
Nut, Flange, 1/4", MB	8
Front Pedal Shields	L&R
Front Cab Brackets 270A Back Hoe Compatible	L&R
Nut, Flange, 5/16"	4
Bolt, Flange, 5/16" x 3/4"	2
Bolt, Flange, 5/16" x 1"	2
SMV Bracket Extension	1
Wire Loop, 1/4"	2
Zip Ties, Regular	4

Parts List Optional Components:

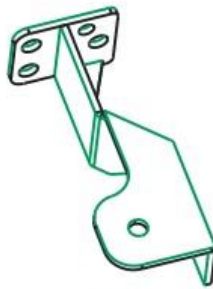
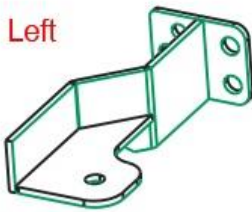
Heater

Description	Qty
Straight fitting, 3/8NPT x 3/8" barb	2
Straight fitting, 16MM male x 3/8NPT female	1
HS-6 hose clamps	2



Front Mounting Brackets
270A Back Hoe Compatible

Left



Right



SMV
Extension
Bracket

Floormat

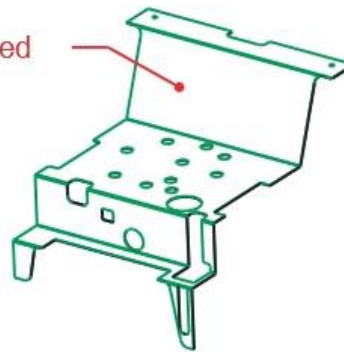


Left

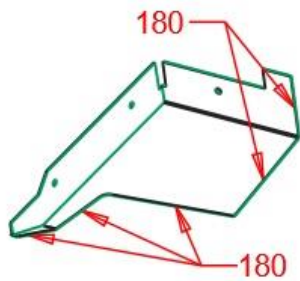


Right

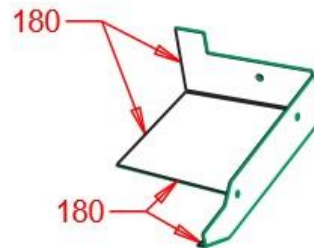
Upholstered



TLB Seat
Pivot Plate



Left Pedal Shield

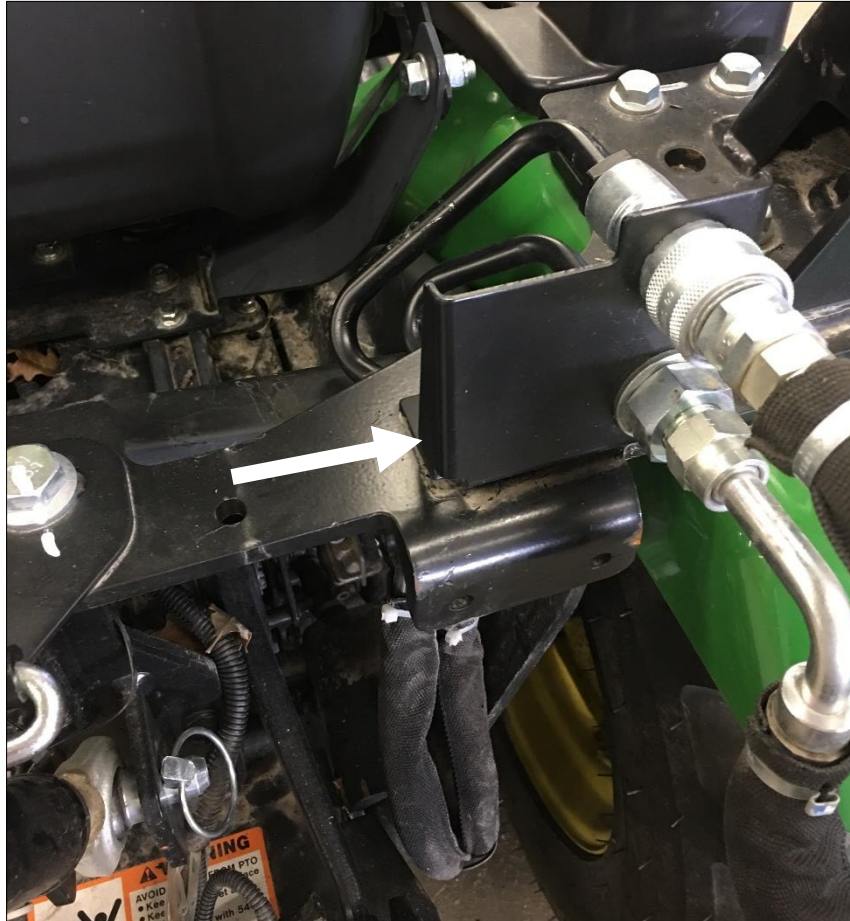


Right Pedal Shield



If tractor is equipped with rear hydraulics, the following step should be performed before installing cab.

. Un-bolt and remove the hydraulic coupler mount plate on top of the rear crossmember between the 2-post ROPS.



. Loosen all of the hydraulic fittings so that they can take the assembly and slide the entire assembly underneath the rear crossmember. Be VERY careful to ensure that the 3-point will not contact the hoses when lifting.

. Mark and drill two holes in the hydraulic mount plate that will line up with the holes in the crossmember. Fasten with provided 5/16" x 1" flange bolts and nuts. Note the orientation of the plate shown in the photo on the next page.



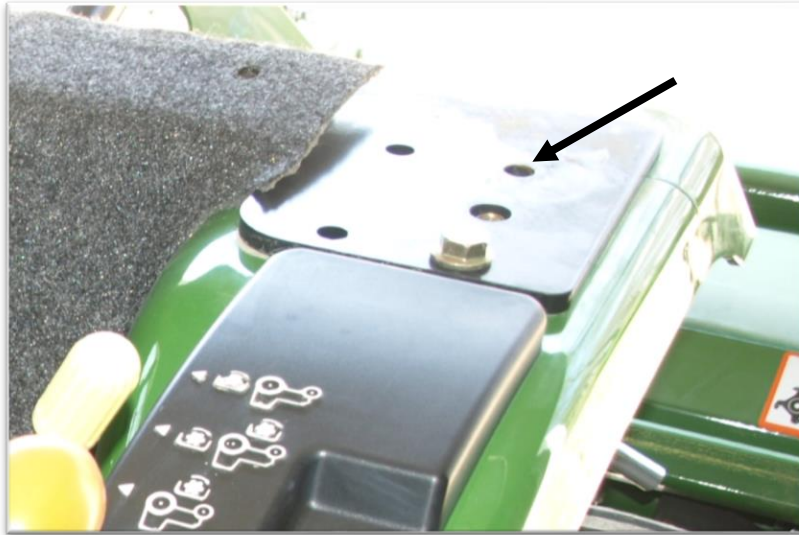
Installation Instructions:

1. Remove the 2-post ROPS structure and rear flasher lights from the tractor. Remove the 3-pt hitch mounting plate from the rear bracket, but re-install the bracket fasteners. Remove the seat belt retaining brackets, to be re-installed later.

Back-hoe equipped tractors: Un-bolt and remove the back-hoe seat bracket from the back-hoe sub-frame. The pivot bolt and seat will be re-assembled onto cab.



2. Locate the left outer rear corner 2-post ROPS fastener. Drill hole out to an 11/16" hole. See the hole indicated in the picture below. Drill out the same hole on the right side as well.



3. Remove both of the tractor grab handles to allow cab installation to be easier.

4. Locate the black plastic under seat shield. This shield is replaced by an upholstered steel panel. Remove the seat and the black shield. It will be necessary to remove handles and end caps along the way to remove the shield.

5. Take the provided under seat shield and position it into the space where the plastic shield was. It will be necessary to glue the outer flaps into place in order to provide a better seal to the tractor. See picture below. Re-install the seat belt retaining clips.





6. Re-install the control levers and end caps along with the tractor seat.

NOTE: If tractor does not have a loader, spacers are required behind the front mounting brackets. Photos below have loader installed. **One 1/2" spacer is needed per fastener behind the mounting plate.**

7. Take the left front bracket. On tractors equipped with front end loaders, the four rear fasteners will need to be removed on the belly housing bracket. Using four provided M12 x 50 flange bolts loosely fasten the front bracket into place. See photo below.



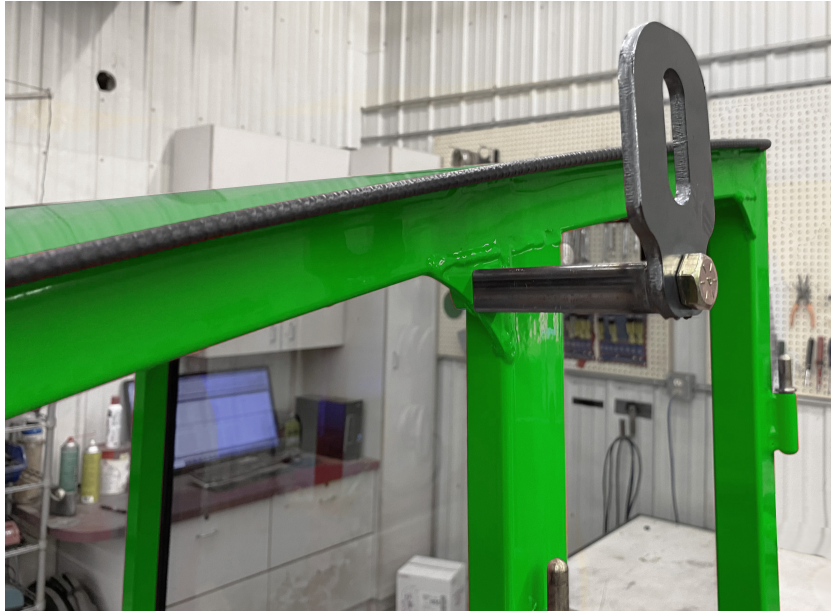
8. Repeat step 7 for the right front bracket. See photo.



9. Remove the left and right cab doors from the cab by first un-hooking the gas shocks. To remove the gas shock on the left cab door, slide a flat screwdriver underneath the small clip on the end cap that must be pulled UP order to pop the shock off of the ball stud. **The shock will release very easily when this is accomplished.** Lift the door assembly straight up and off of the cab and put aside for now.



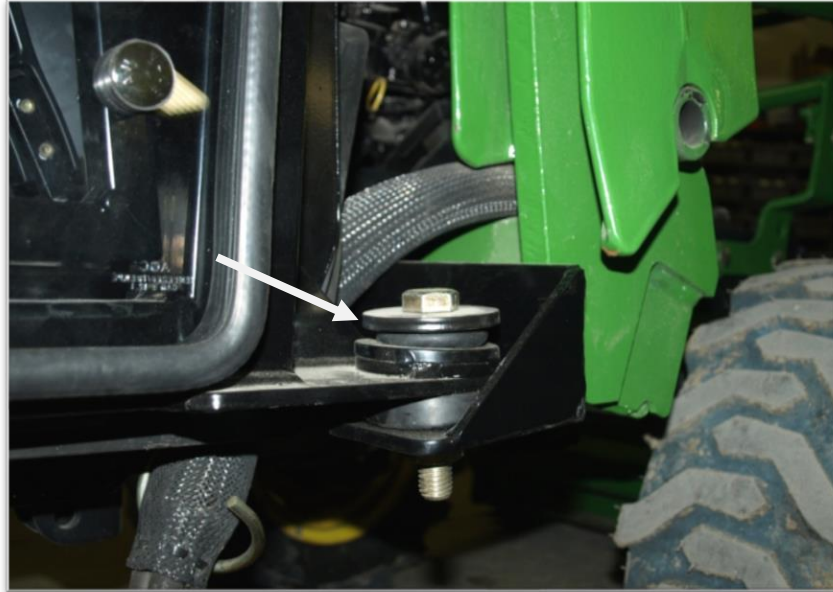
10. Take the provided cab lift brackets and $\frac{1}{2}$ " x 4 $\frac{1}{2}$ " hex bolts and install the lift brackets onto the cab as shown below.



11. Attach a lift strap or chain to the lift brackets, and using a hoist or forklift, prepare to lift cab off of the shipping pallet. Un-bolt rear shipping bracket from cab, and lift cab. Position the cab over the tractor.

12. Slowly lower the cab straight down. Be careful with lowering, do so with caution.

13. Take the 5/8" x 3" and 4" hex bolts, flange nuts, and heavy flat washers. Start with the rear mounting holes (4" bolts). Slide the bolt through the washer and through the mounting hole with isolator pre-installed through the fender hole pre-drilled out earlier. Use a lock washer and nut to start the bolt, but do not tighten until all mounting fasteners have been started. Start both rear fasteners first.



14. Use the same alignment procedure for the front bracket isolators (3" bolts). Once all 4 bolts have been started, you can apply final torques. For the ROPS isolators, 200-ft-lbs is required. For the M12 bell housing fasteners, use 97 ft-lbs.

15. Re-install the tractor fender grab handles.

16. Remove the SMV sign from the factory bracket. Bolt the SMV sign to the bracket provided at the rear of the cab with the 1/4" x 1/2" flange bolts and nuts. Then bolt the sign bracket to the lower cab C-C cross-member with the provided 5/16" x 2 1/2" hex bolts and nuts from the shipping bracket.





17. Take the right tractor flasher light and bolt onto the cab through the right C-post. Use the factory hardware. Route the wire harness through the centre large hole and down the post. Re-connect the wiring harness to the tractor harness. Repeat for the left tractor flasher light.

18. Take the left pedal shield and slide it under the lower window cross member and against the cab frame. Use the provided $\frac{1}{4}$ " x $\frac{1}{2}$ " flange bolts and nuts and fasten into place.



19. Repeat step 18 for the right pedal shield.





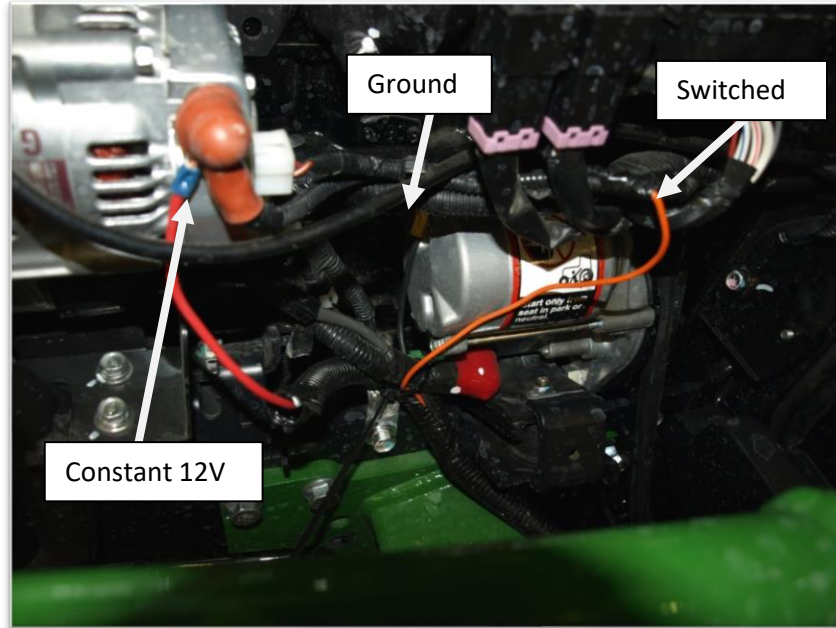
20. Take the left cab floor mat. Position it onto the left operator foot platform. Ensure that all pedals have adequate clearance to operate, notching if necessary. Using an aerosol spray glue, 3M High Strength 90 is recommended, and glue floormat into place.



21. Repeat step 20 for the right operator floor mat.



22. Route the cab electrical wires from the front left A-post into the hood area. Connect the black wire to a tractor ground bolt (back of starter). Use the provided 1/4" loop connector. Shorten wire if necessary, then install connector and solder connector to wire.. Connect the red wire to a constant 12V power source on the alternator as shown in the photo on the next page with the provided 1/4" loop connector. Shorten the wire if necessary, then crimp on connector and solder. Connect the orange wire to a switched 12V source that the ignition key activates (red wire on the small alternator harness, SOLDER this wire directly).



Proceed with the following steps if the cab has a heater kit.

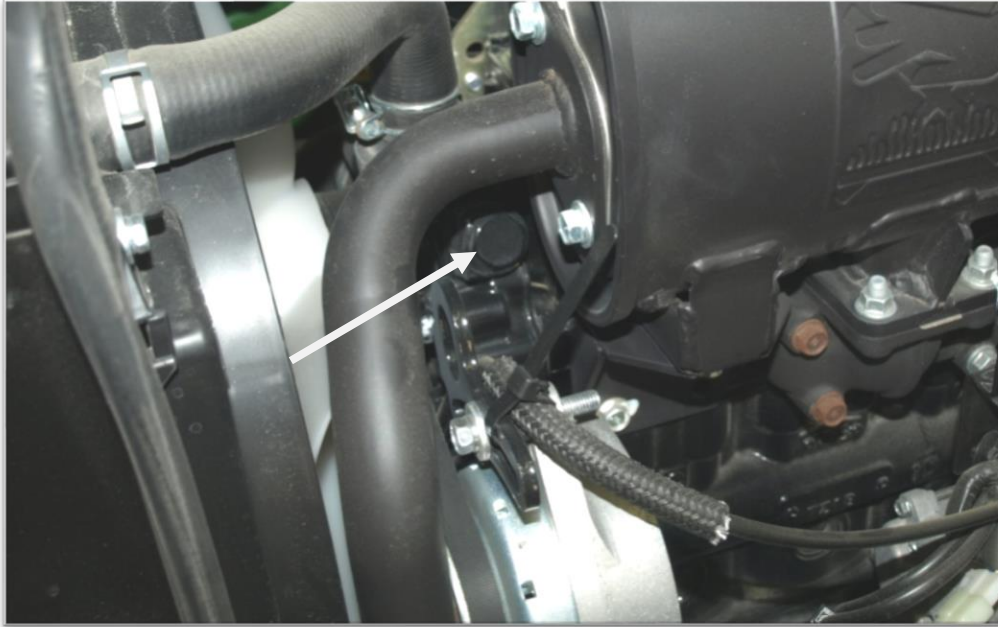
23. Drain the engine antifreeze.

24. The pressure fitting is located on the right side of the engine underneath the air cleaner. Remove the plug. Use water sealant material around the threads of the fitting to prevent water leaks. Use the 3/8NPT x 3/8" barb straight fitting and screw it into the open port. This is the pressure fitting.

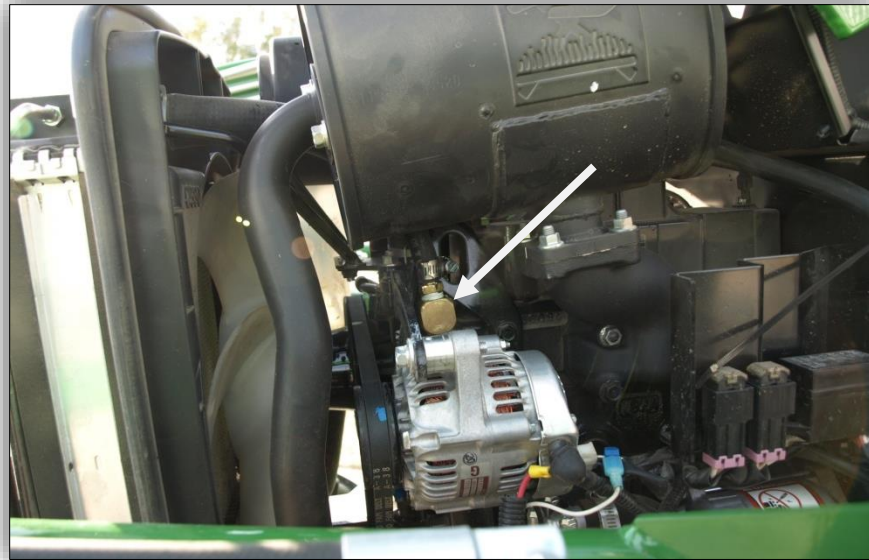




25. The suction fitting is located on the left side of the engine. Remove the muffler, then remove the plug indicated below. Use water sealant material around the threads of the fitting to prevent water leaks. Use the 16MM x 3/8" NPT straight fitting, brass o-ring, and screw it into the open port. Take the remaining 3/8NPT x 3/8" barb straight fitting and install into adapter. This is the suction fitting. Muffler MUST be removed to install.



26. Locate the hoses on the right front of the cab. Route the hose labelled pressure towards the pressure fitting. Ensure that the hose does not interfere with any moving parts. Cut the hose and then connect it to the pressure fitting. Use zip ties to tidy up the hose. Use the provided HS-6 hose clamps to secure the hose to the fitting. Route the other hose to the suction fitting, ensuring that it does not interfere with any moving parts. Cut any excess length, and connect to the suction fitting with the provided HS-6 hose clamps.



27. Make sure all fitting connections are tight and the hoses are properly secured to the machine. Re-fill the engine antifreeze. Go to the cab, and turn the heater control switch to the maximum heat side. Start the engine and turn the cab fan to the highest speed setting. Take the radiator cap off of the engine and place a funnel into the radiator. Fill the funnel with antifreeze. The engine will need to run for a few minutes and the thermostat open a few times in order for all air to be purged from the heater system. The air at the cab louvers should be very hot when that occurs. NOTE: ensure adequate fresh air ventilation in the work space you are in, carbon monoxide from the engine exhaust is deadly.

28. To ensure a better seal of all weather stripping and floor mat pieces, it is recommended that you use a black silicone seal to seal the cab parts to the tractor.

Back-hoe operation:

Hydraulic hoses going to the back-hoe should be route as shown:



In order to use the back-hoe with cab, the rear window of the cab must be un-bolted and removed in order to allow the back-hoe seat to be installed.





John Deere 2000 Series Cab

** 2032R model Shown with optional equipment



John Deere 2000 Series Cab

This manual covers parts for the John Deere 2320, 2520, 2720, 2025R, and 2032R.

Designed and Built by:

Tektite Manufacturing Inc:

P.O. Box 639427 Buffalo Street

Winkler, MB

R6W 4A8

Canada

PH: 204-331-3463

Fax: 204-331-4159

sales@tektite.ca

One year standard product warranty provided by Tektite.



Tektite Manufacturing Incorporated thanks you for purchasing a John Deere 2000 Series ROPS cab! Tektite has worked very hard to design and build this ROPS product and we hope that it provides you with many years of ROPS protection.

Tektite's ROPS products are designed to provide safe and dependable service during operation when they are properly maintained according to the instructions. Please read this operator manual carefully before using this ROPS product.

The photos/illustrations provided in this manual may not provide all the detail needed and are for reference only.

All directions provided are from the reference point of the tractor seat facing the steering wheel. All left and right references are from this view point.

For reference, please fill in the information below. This will assist your dealer in providing service for this ROPS. It is advisable that this information be provided to your insurance company as well in the event that the tractor is lost or damaged.

Vehicle Model: _____

ROPS Serial Number: _____

Date of Purchase: _____

Dealer Name: _____



Tektite Limited Warranty

Tektite Manufacturing Inc. (“Tektite”) warrants to the original purchaser (the “Claimant”), that Tektite products will be free from defective materials or workmanship, under normal use and service, for a period of (1) full year from the original invoice date. Tektite’s liability under this Limited Warranty is limited to the repair or (at the discretion of Tektite) the replacement of those components of its products, which were manufactured by Tektite that are defective in materials or workmanship. Tektite shall have no liability under this Limited Warranty unless Tektite is notified of the defect during the stated Warranty Period.

Limitations and Exclusions: Tektite has no responsibility to a Claimant under this Limited Warranty or on any other basis for any of the following:

- a) defects caused, in whole or in part, by accident or misuse, negligence or failure to maintain the product or component;
- b) products or components sold to a customer on an “as is” basis;
- c) wiper blades, light bulbs, fuses, clear vinyl or other consumables;
- d) glass where the point of failure has not been preserved intact and delivered to Tektite for analysis of the cause of the failure;
- e) products or components which have been modified after shipping from Tektite to its customer;
- f) transportation charges for returned, repaired or replacement items;
- g) defects that are subject of a Tektite initiated recall where the Claimant fails to comply with the terms of the recall notice that comes to the attention of the Claimant;
- h) components of Tektite products that are manufactured by third parties (Tektite’s only obligation in relation to such components shall be to accord to the Claimant the benefit of any transferable warranty accorded to Tektite by third party manufacturer);
- i) defects in workmanship or materials in products or components that are repaired or replaced by Tektite unless Tektite is notified of the new defect within the Warranty Period that applied to the original product or component that has been repaired or replaced;
- j) defects that result, in whole or in part, from inadequate engineering or specifications provided to Tektite by its customer;
- k) any actual or alleged deficiency in technical or engineering services or advice provided by Tektite to its customer whether provided for valuable consideration or otherwise;
- l) consequential damages, or any other damages whether foreseeable or not, resulting from the defect or any delay in remedying the defect;
- m) any breach or alleged breach of any implied warranty of merchantability or fitness for particular purpose of use;
- n) defects or part failure due to misuse or failure to follow recommended cab installation procedures; and
- o) travel expenses, including mileage.

This Limited Warranty expresses the entire obligation of Tektite, its officers, directors, agents and employees, to its customer or any Claimant in respect of any defect in workmanship, or materials of any product or component sold or manufactured by Tektite whether on grounds of breach of contract, negligence or other tortious liability, breach of express or implied warranty or other basis in law of any jurisdiction.

Acceptance by a customer of delivery of products of Tektite constitutes acceptance of this Limited Warranty in lieu of all other warranties express or implied including without limitation all implied warranties of merchantability or fitness for particular purpose or use and constitutes acceptance by customer of the exclusions and limitations of the liability of Tektite set out above. Once received, the cab should have ALL exterior cardboard, Styrofoam wrapping removed for immediate inspection of product to ensure that no damages have occurred during transportation. Outer coverings should stay off the cab and the cab be stored indoors in a controlled environment. The warranty card must be completed and returned to Tektite.

Warranty claims should be reported to parts@tektite.ca. A warranty claim form and instructions will be provided at this time. Warranty work not pre-authorized by Tektite may not be covered by this warranty agreement. Labor rate and time allowances are fixed by Tektite. Approved warranty claims will be issued in the form of credits applied to customer account.



Safety Precautions

Safety First

Read these instructions carefully. It is essential that you read the instructions and safety regulations before you attempt to assemble or use the features that are on this cab/ROPS.

Danger: Indicates an immediate hazardous situation which, if not avoided, will result in death or serious injury.

Warning: Indicates a potentially hazardous situation which, if not avoided, may result in death or serious injury.

Caution: Indicates a potentially hazardous situation which, if not avoided, may result in minor or moderate injury.

Important: Indicates that cab or property damage may result if instructions are not carefully followed.

NOTE: All products are designed to give safe, dependable service if they are operated and maintained according to instructions. It is the owner's responsibility to be certain anyone operating this product reads this manual, and all other applicable manuals, to become familiar with this cab and all safety precautions. Failure to do so could result in serious personal injury or cab damage. If you have any questions, consult your dealer. Read and understand this manual before operation.

NOTE: A safe operator is the best assurance against accidents. All operators, no matter how experienced they may be, should read this operator manual and all other related manuals before attempting to operate features in this cab/ROPS and operate the base tractor. Please read the following section and pay particular attention to all safety recommendations contained in this manual and those labelled on the cab and on the tractor.



General Safety

1. Never let an unqualified or untrained driver operate the mower.
2. Keep a fire extinguisher, with ABC rating securely fastened in the ROPS. Maintain it and be familiar with its use.
3. Do not carry passengers.
4. Never operate the mower in a closed building for a prolonged period. Ensure adequate ventilation is present, as engine exhaust fumes are poisonous and can kill.
5. Always keep sleeves, jackets or other loose clothing relatively tight and belted. Loose clothing may catch on moving parts and result in severe personal injury or death.
6. Provide a first-aid kit, securely attached inside of the ROPS for use in case of accident.
7. Never jump from the mower. There is a danger of tripping or falling on protruding parts.
8. Use steps and hand holds when mounting and dismounting the mower, or for servicing components too high to reach from the ground.
9. When seated in the ROPS, fasten seat belt before starting the engine. A proper seat belt must be worn at all times when using a ROPS.
10. Safety devices and shields are intended to protect operators from injury or death. Under no circumstances should they be modified, disabled or removed.

Operating Safety

1. Always operate the mower controls while sitting in the operator's seat.
2. Lock seat in position and buckle seat belt before operating the mower.
3. Avoid abrupt sharp turns at high speeds.
4. On sloped terrain, do not make sharp turns as machine stability could be compromised.
5. Operate the mower smoothly, avoid abrupt starts and stops.
6. Keep all shields in place when operating the mower.
7. Do not operate the mower when you are tired, sick, or impaired.
8. Never operate the mower in confined areas; visibility next to the tractor is reduced. Injury to bystanders or damage to the ROPS or equipment may result.

Safety

Carefully review the procedures given in this manual and the mower operator's manual with all operators annually. It is important that all operators become familiar with and follow safety precautions. Operating instructions must be given to everyone using the tractor before operation and at least once yearly thereafter in compliance with OSHA Regulations 1928.57 (United States).



Safe Operation on Rough Terrain

1. Drive the mower slowly on hillsides and curves to eliminate the danger of tipping. Avoid slopes which are too steep for safe operation. Avoid sharp uphill turns.
2. Always drive slowly enough over rough ground or obstructions. Drive at speeds slow enough to ensure your safety.
3. When driving out of a ditch, gully, or up a steep hillside, engage the clutch slowly. Avoid sharp uphill turns.
4. When descending steep grades, select a sufficiently low gear to maintain control with minimum use of braking.
5. Use caution when driving near the edge of a ditch or gully. It may cave in, causing the mower to roll over.
6. Be alert when operating near trees, slopes and around obstructions. Tree branches can cause damage to ROPS components.

Maintenance Safety

1. Remove mud, crop residue, chains, and tools from steps and operator's platform. They may interfere with pedal operation or entry/exit from mower.
2. When servicing components are too high to reach from the ground use steps and handholds. Do not use fenders or shields that are not designed as steps.

Safe Highway Operation

1. Before operating the mower on, or near, public roadways check with your local authorities for any local regulations that will affect you.
2. Equip towed implements with slow moving vehicle (SMV) signs when traveling on public roads.
3. Install additional lights on implement rear to safeguard against rear end collisions.
4. Use hazard warning flashers as required by law when transporting or driving on public roads. If the mower had warning flashers removed when mounting the ROPS, they must be replaced prior to operation on public roads.
5. Keep to the right, yielding right-of-way traffic, especially if pulling implements. Pull off the road and stop to allow motorists to pass. Drive on the road shoulder, if permitted by law.
6. Use extreme caution when pulling heavy loads at road speeds. Avoid hard application of the mower brakes at high speed.
7. Always drive slowly near curbs, approaches or ditches.
8. If equipped, ensure headlights are aligned so they will not blind the operators of oncoming vehicles. If the mower is not equipped with turn signals and law requires them, install them prior to operating on or near public roads.



9. Use your turn signals, checking for traffic well in advance of turning. If the mower is not equipped with turn signals and law requires them, install them prior to operating on or near public roads.

Safety Decals

1. Keep decals clean. Remove dirt with a wet clean cloth when necessary.
2. Replace safety decals if destroyed, missing, painted over or unreadable. If any safety decals are covered or obscured when the ROPS is mounted, it is recommended that you purchase replacement decals from the mower manufacturer. Mount them in a readable location at, or near, their original location before operating the mower.
3. New ROPS decals and mower decals are available from your mower dealer.

ROPS Safety

1. Install the ROPS in accordance with Tektite mounting instructions. Failure to do so may affect the ROPS ability to withstand a roll over.
2. If the ROPS is subjected to alteration, structural damage or involved in an over turn accident, the entire structure must be replaced. Failure to do so may result in injury or death in the event of a roll over.
3. If the mower is not equipped with seat belts, purchase approved seat belts from the mower manufacturer or Tektite prior to operating the mower.
4. Always fasten seat belts prior to operating the mower.
5. Always operate the mower from the operator's seat.
6. Remove mud, crop residue, chains and tools from steps and operator's platform. They may interfere with pedal operation or entry/exit from the mower.
7. Remove all loose chains, tools, and equipment from the operator's platform. Failure to do so may cause injury or death in the event of a roll over.
8. Do not install the ROPS on a mower model that the ROPS is not designated for (compatible mower designations are printed on the ROPS serial number plate). The ROPS is designed specifically for individual models to ensure ROPS requirements will be met. Installing the ROPS on a non designated mower may result in injury or death.

Emergency Exits

This ROPS cab has 2 exits, which may be used in an emergency: left and right doors.

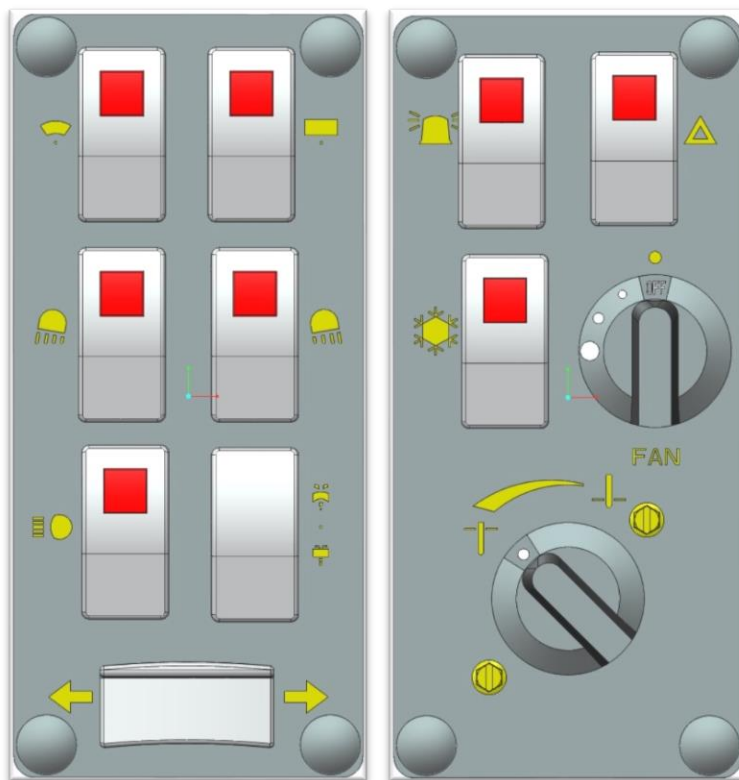


Operating Instructions

Important

The following section locates, identifies and briefly describes the functions of all cab controls. All operators should familiarize themselves with control location and function prior to operating the mower. Failure to do so may result in unsafe operation of the mower and possible injury or death to operators and bystanders.

There are two switch plates located in the headliner. The following switches are available and their functionality is described.



Left Switch Plate

1. Front Wiper Rocker Switch (standard)

Low position: Off

High position: On

Note: indicator light activates when wiper is on.

2. Rear Wiper Rocker Switch (optional)

Low position: Off



High position: On

Note: indicator light activates when wiper is on.

3. Front Work Light Rocker Switch (optional)

Low position: Off

High position: On

Note: indicator light activates when work lights are on.

4. Rear Work Light Rocker Switch (optional)

Low position: Off

High position: On

Note: indicator light activates when work light is on.

5. Head Lights Rocker Switch (optional)

Low position: Off

High position: On

Note: indicator light activates when head lights are on.

6. Front and Rear Washer Rocker Switch (optional)

Low position: Momentary – On Rear Washer

Middle position: Off

High position: Momentary – On Front Washer

7. Turn Signal Rocker Switch (optional)

Left position: On

Middle position: Off

Right position: On

Right Switch Plate

1. Beacon Rocker Switch (standard)

Low position: Off

High position: On

Note: indicator light activates when beacon is on.

2. Hazard Rocker Switch (optional)

Low position: Off

High position: On

Note: indicator light activates when 4-way flashers are on.

3. Air Conditioner Rocker Switch (optional)

Low position: Off

High position: On

Note: indicator light activates when air conditioner is on.



4. Fan Rotary Switch (optional)

Indicator mark above switch indicates whether fan is operational or not.

5. Temperature Control Rotary Switch (optional)

Indicator mark at lower left corner indicates current temperature setting. Rotate to increase heat output or to decrease heat output of heating system. When air conditioner is being used, it is recommended that the switch be at maximum cooling position.

Cab Circuit Protection

The Tektite ROPS cab is wired to provide maximum protection against accidental battery rundown and circuit overload. A relay in the cab is ignition activated and prevents the operator from accidentally leaving fan motors, lights on after turning the tractor off and leaving for the day. A circuit breaker is provided to prevent the cab electrical components from drawing more power than they should be able to from a dead short. The cab electrical components are also fused individually, and the fuse block is located in the headliner, directly above the door opening on the left side. Locate the 3" snap cap, and with a small flat screw driver you can remove the cap to examine the fuses provided. A decal on the fuse block indicates which fuse is for which electrical option.



After your ROPS Cab has been installed:

Before starting a mower equipped with a Tektite ROPS cab:

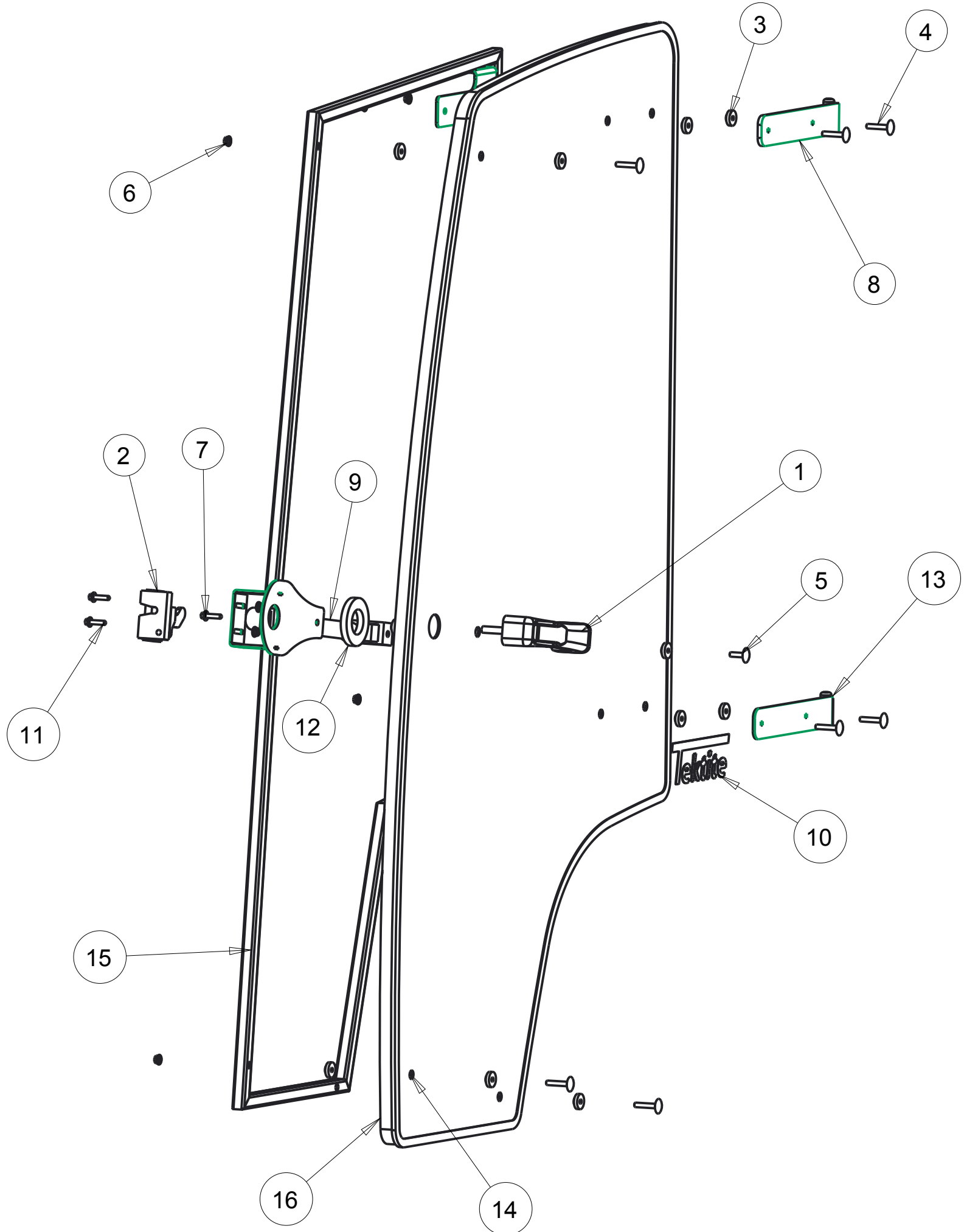
1. Clear the operator platform of all tools. Tools left in or around the ROPS and mower can cause operator interference which could lead to bodily injury and/or damage the machine.
2. Inspect the ROPS and mower to ensure all bolts are tight and re-tighten if required.
3. Ensure that all pedals, levers, and controls have adequate clearance for normal operation.
4. Ensure that all electrical components of both the ROPS and mower operate normally.
5. Ensure your door latches properly onto the striker pin. Immediately after installation, the ROPS frame may flex slightly from installation, and the door latch will need to be re-aligned for proper operation. Loosen the striker pin, striker mounting plate and door latch as necessary to get a proper alignment of the door striker.

Service Parts Breakdowns:

Following are parts breakdowns for components that may require service parts replacement during the life of the ROPS. If you require replacement parts, please contact the dealer that you purchased the ROPS from and indicate which parts you require.



Index	Service Part #	File Name	Description	Qty
1	A00-0001	DLP-HANDLE	Outside Push Button Handle	1
2	A00-0002	LEFT-LATCH	Suicide Door Left Latch	1
3	A00-0013	TEKT-0009	5MM Bushing	17
4	A00-0018	STEP-BOLT1-4X1-1-2	Step Bolt, 1/4" x 1 1/2", MB	7
5	A00-0019	STEP-BOLT1-4X1	Step Bolt, 1/4" x 1", MB	1
6	A00-0021	FLANGE-NUT-1-4	Flange Nut, 1/4", YD	10
7	A00-0022	FLANGE_BOLT_M6X25	Flange Bolt, M6x25, YD	1
8	A00-0039	TEKT-ASM-001	Left Door Hinge Weldment, Upper	1
9	A00-0040	REID-RST-160-RST-163	Grab Handle	1
10	A00-0041	TEKTITE-DECAL	Tektite Cab Decal - Solid White	1
11	A00-0118	FLANGE_BOLT_1-4X1	Flange Bolt, 1/4" x 1", YD	2
12	A00-0177	TEKT-0068	Handle Washer Spacer	1
13	A00-0228	TEKT-ASM-029	Left Door Hinge Weldment, Lower	1
14	J04-0005	JD2320-029	Door Glass	1
15	J04-0006	JD2320-ASM-009	Left Door Frame Weldment	1
16	J04-0009	JD2320-058	Door Weatherstripping	1



SCALE 0.150

Notice of Confidentiality

This material is property of Tektite Manufacturing Inc and is not to be used by the recipient for any purpose other than the purpose for which it was transmitted. The material remains the property of Tektite and shall be returned upon request. The material may not be reproduced or disclosed to third parties without the written consent of Tektite.

Tolerances:
Unless otherwise specified
X.X = ± 1/16"
Angular = ± 1.0°

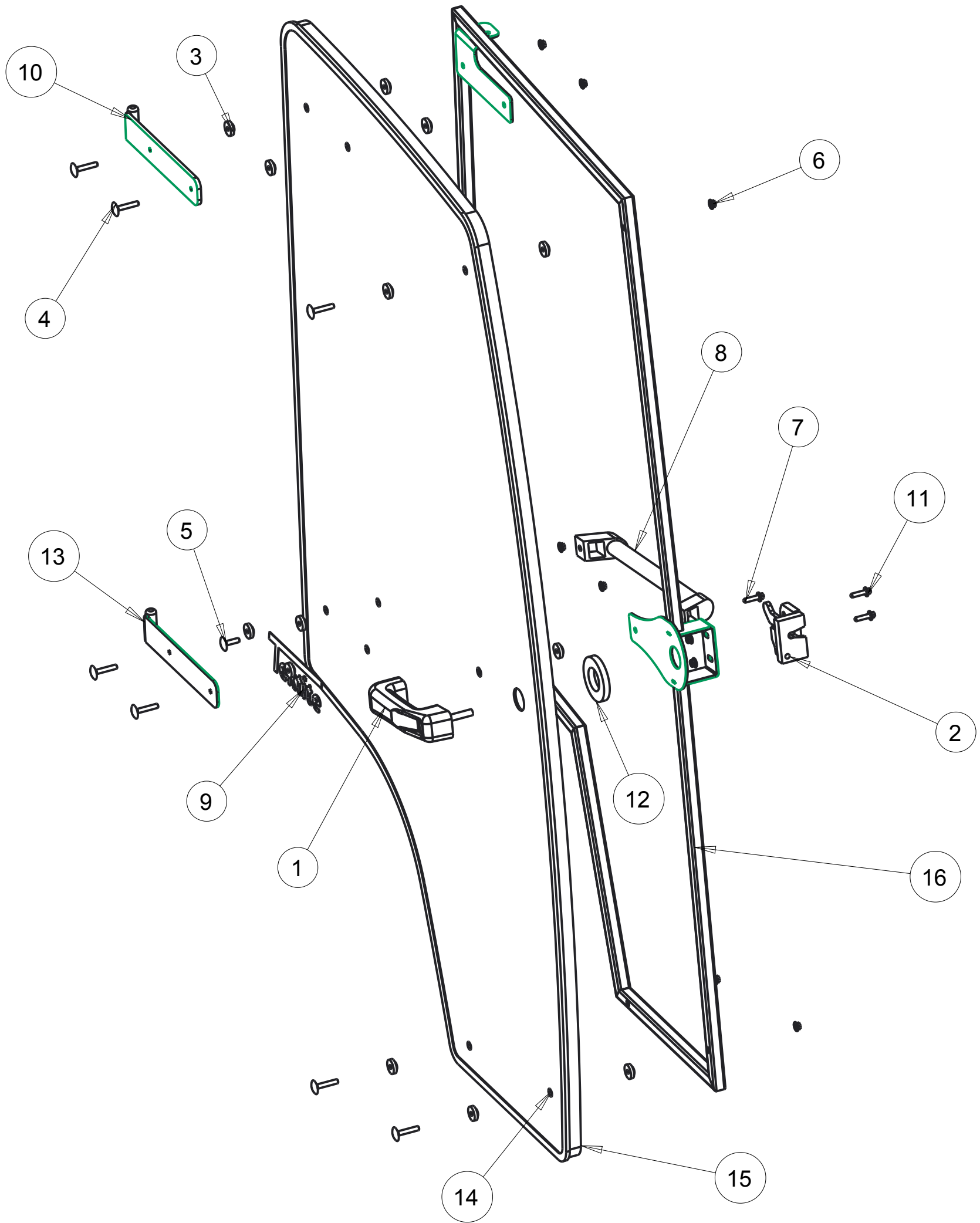
Tektite Manufacturing Inc.

24157 Hwy 3, Box 639, Winkler MB, R6W 4A8, Canada

Req'd:	CNC:	Description: Left Door Assembly	
Drawn By: <i>Daryl Furkalo</i>	Date: 2013-09-23	Units: Imp.	File Name: JD2320-ASM-008-DOOR_OP
Checked By:	Date:	Size: B	



Index	Service Part #	File Name	Description	Qty
1	A00-0001	DLP-HANDLE	Outside Push Button Handle	1
2	A00-0003	RIGHT-LATCH	Suicide Door Right Latch	1
3	A00-0013	TEKT-0009	5MM Bushing	17
4	A00-0018	STEP-BOLT1-4X1-1-2	Step Bolt, 1/4" x 1 1/2", MB	7
5	A00-0019	STEP-BOLT1-4X1	Step Bolt, 1/4" x 1", MB	1
6	A00-0021	FLANGE-NUT-1-4	Flange Nut, 1/4", YD	10
7	A00-0022	FLANGE_BOLT_M6X25	Flange Bolt, M6x25, YD	1
8	A00-0040	REID-RST-160-RST-163	Grab Handle	1
9	A00-0041	TEKTITE-DECAL	Tektite Cab Decal - Solid White	1
10	A00-0042	TEKT-ASM-001R	Right Cab Door Hinge Weldment, Upper	1
11	A00-0118	FLANGE_BOLT_1-4X1	Flange Bolt, 1/4" x 1", YD	2
12	A00-0177	TEKT-0068	Handle Washer Spacer	1
13	A00-0229	TEKT-ASM-029R	Right Door Hinge Weldment, Lower	1
14	J04-0005	JD2320-029	Door Glass	1
15	J04-0009	JD2320-058R	Door Weatherstripping	1
16	J04-0010	JD2320-ASM-009R	Right Door Frame Weldment	1



SCALE 0.150

Notice of Confidentiality

This material is property of Tektite Manufacturing Inc and is not to be used by the recipient for any purpose other than the purpose for which it was transmitted. The material remains the property of Tektite and shall be returned upon request. The material may not be reproduced or disclosed to third parties without the written consent of Tektite.

Tolerances:

Unless otherwise specified

X.X = ± 1/16"
Angular = ± 1.0°

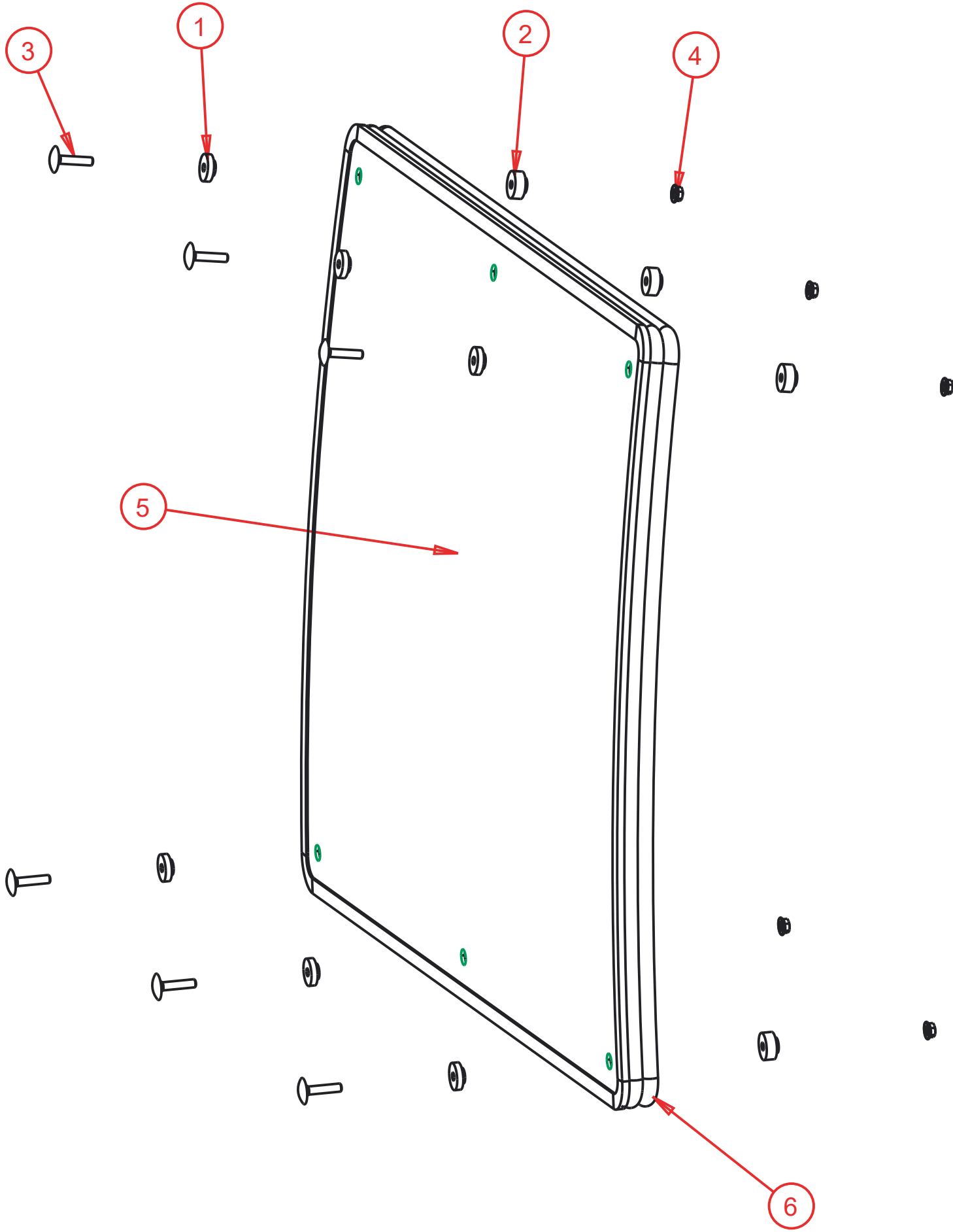
Tektite Manufacturing Inc.

24157 Hwy 3, Box 639, Winkler MB, R6W 4A8, Canada

Req'd:	CNC:	Description: Right Door Assembly	
Drawn By: <i>Daryl Furkalo</i>	Date: 2013-09-23	Units: Imp.	File Name: JD2320-ASM-008-DOOR-RT_OP
Checked By:	Date:	Size: B	



Index	Service Part #	File Name	Description	Qty
1	A00-0013	TEKT-0009	5MM Bushing	6
2	A00-0014	THICK-BUSHING	8MM Bushing	6
3	A00-0020	STEP-BOLT1-4X1-1-4	Step Bolt, 1/4" x 1 1/4", MB	6
4	A00-0021	FLANGE-NUT-1-4	Flange Nut, 1/4", YD	6
5	J04-0002	JD2320-026	Front Top Window Glass	1
6	J04-0011	JD2320-059-	Windshield Seal	1



SCALE 0.250

Notice of Confidentiality

This material is property of Tektite Manufacturing Inc and is not to be used by the recipient for any purpose other than the purpose for which it was transmitted. The material remains the property of Tektite and shall be returned upon request. The material may not be reproduced or disclosed to third parties without the written consent of Tektite.

Tolerances:

Unless otherwise specified

X.X = ± 1/16"
Angular = ± 1.0°

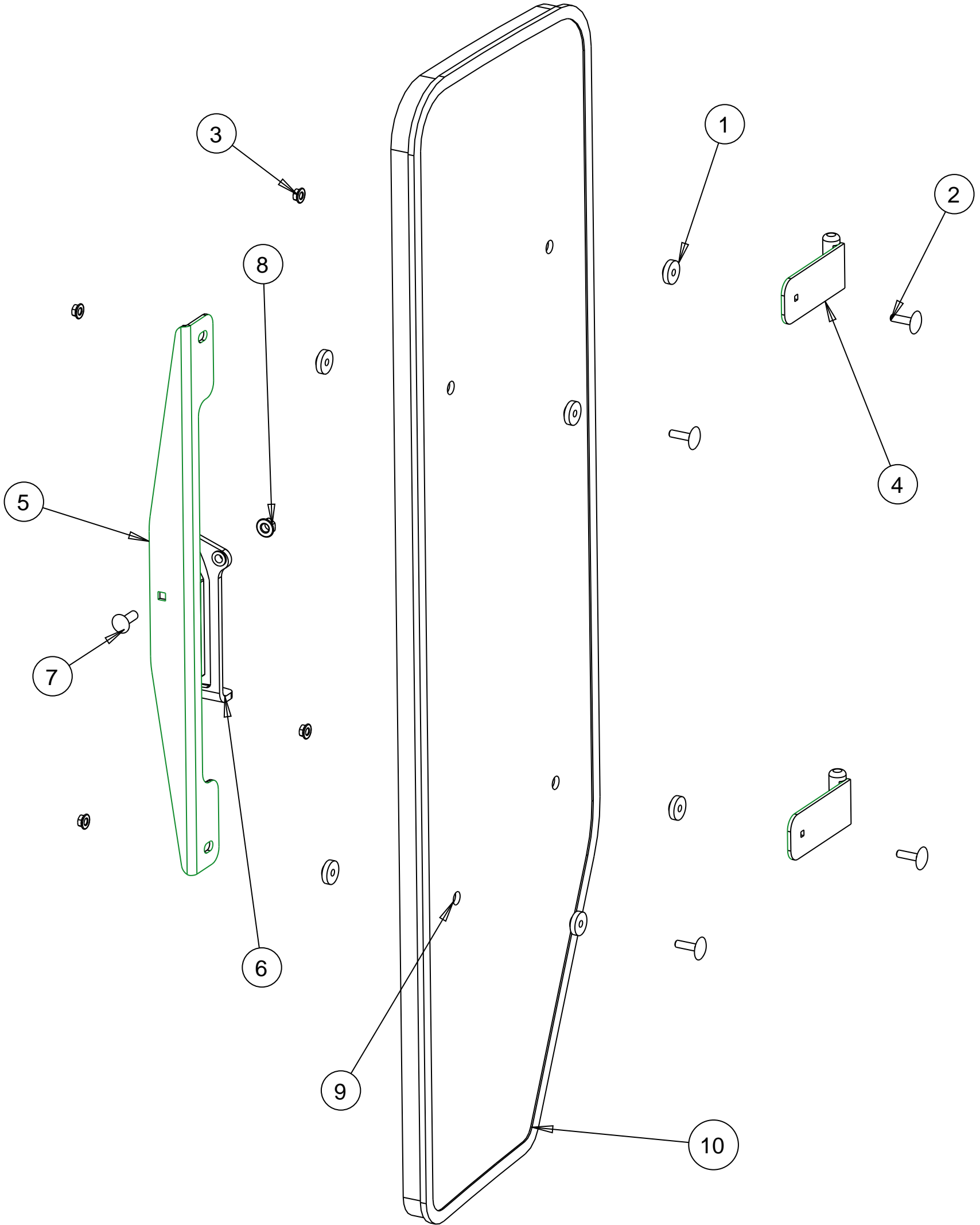
Tektite Manufacturing Inc.

24157 Hwy 3, Box 639, Winkler MB, R6W 4A8, Canada

Req'd:	CNC:	Description: Upper Windshield Assembly	
Drawn By: <i>Daryl Furkalo</i>	Date: 20017-07-18	Units: Imp.	File Name: JD2320-ASM-011_OP
Checked By:	Date:	Size: B	



Index	Service Part #	File Name	Description	Qty
1	A00-0013	TEKT-0009	5MM Bushing	8
2	A00-0019	STEP-BOLT1-4X1	Step Bolt, 1/4" x 1", MB	4
3	A00-0021	FLANGE-NUT-1-4	Flange Nut, 1/4", YD	4
4	A00-0044	TEKT-ASM-002	Side Window Hinge Weldment	2
5	A00-0045	TEKT-0004	Side Window Slider Bracket	1
6	A00-0057	TEKT-0020MIR	Side Window Latch, L60776	1
7	A00-0058	CARRIAGE_BOLT-5-16X1	Bolt, Carriage, 5/16"x 1", YD	1
8	A00-0059	FLANGE-NUT-5-16	Flange Nut, 5/16", YD	1
9	J04-0004	JD2320-028	Side Window Glass	1
10	J04-0008	JD2320-057MIR	Side Window Weatherstripping	1



SCALE 0.250

Notice of Confidentiality

This material is property of Tektite Manufacturing Inc and is not to be used by the recipient for any purpose other than the purpose for which it was transmitted. The material remains the property of Tektite and shall be returned upon request. The material may not be reproduced or disclosed to third parties without the written consent of Tektite.

Tolerances:

Unless otherwise specified

X.X = ± 1/16"
Angular = ± 1.0 °

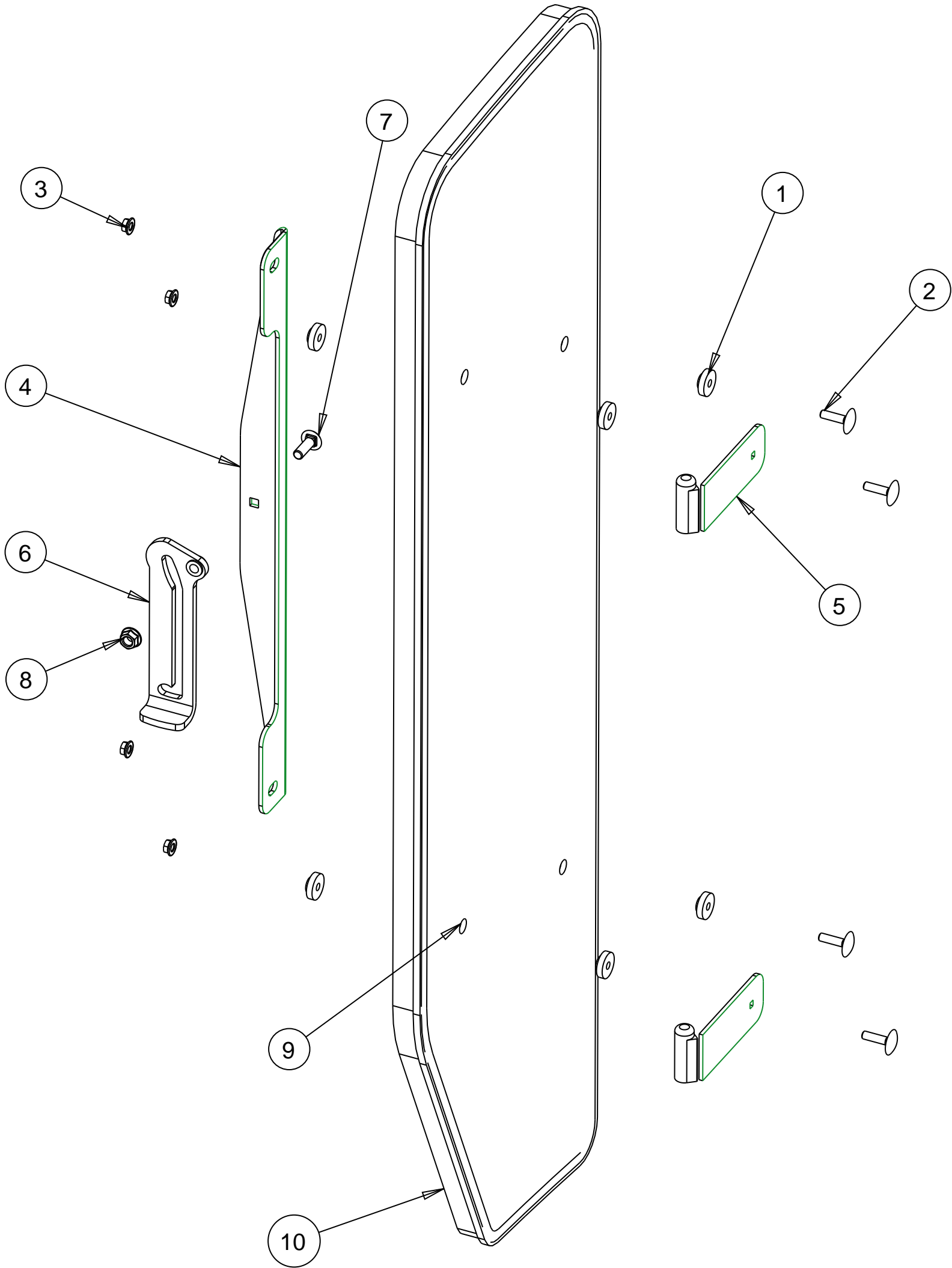
Tektite Manufacturing Inc.

24157 Hwy 3, Box 639, Winkler MB, R6W 4A8, Canada

Req'd:	CNC:	Description: Left Side Window Assembly	
Drawn By: Daryl Furkalo	Date: 2009-06-02	Units: Imp.	File Name: JD2320-ASM-007_OP
Checked By:	Date:	Size: B	



Index	Service Part #	File Name	Description	Qty
1	A00-0013	TEKT-0009	5MM Bushing	8
2	A00-0019	STEP-BOLT1-4X1	Step Bolt, 1/4" x 1", MB	4
3	A00-0021	FLANGE-NUT-1-4	Flange Nut, 1/4", YD	4
4	A00-0045	TEKT-0004	Side Window Slider Bracket	1
5	A00-0046	TEKT-ASM-002R	Side Window Hinge Right	2
6	A00-0056	TEKT-0020	Side Window Latch, L60775	1
7	A00-0058	CARRIAGE_BOLT-5-16X1	Bolt, Carriage, 5/16"x 1", YD	1
8	A00-0059	FLANGE-NUT-5-16	Flange Nut, 5/16", YD	1
9	J04-0004	JD2320-028	Side Window Glass	1
10	J04-0008	JD2320-057	Side Window Weatherstripping	1



SCALE 0.270

Notice of Confidentiality

This material is property of Tektite Manufacturing Inc and is not to be used by the recipient for any purpose other than the purpose for which it was transmitted. The material remains the property of Tektite and shall be returned upon request. The material may not be reproduced or disclosed to third parties without the written consent of Tektite.

Tolerances:
Unless otherwise specified

X.X = ± 1/16"
Angular = ± 1.0 °

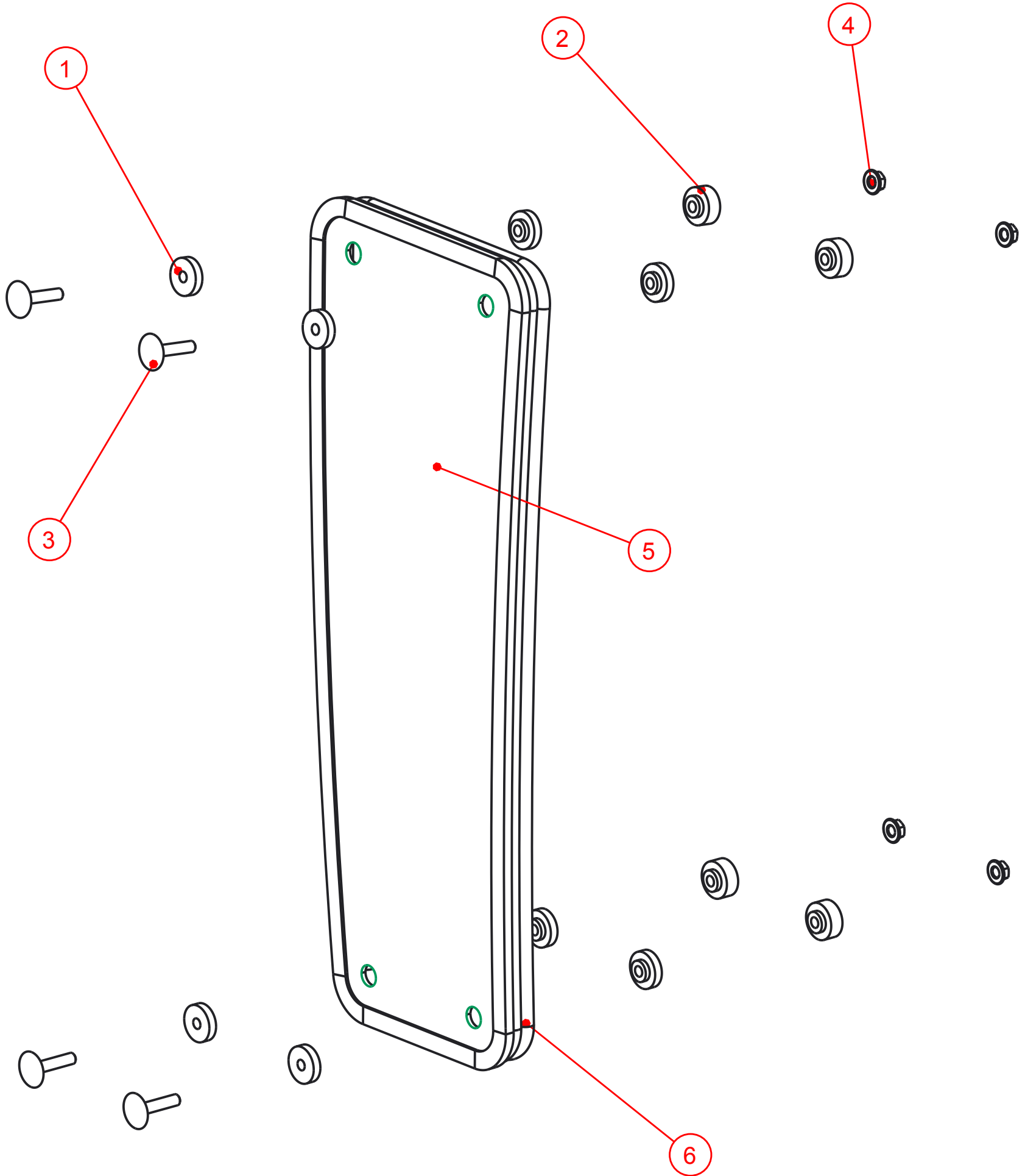
Tektite Manufacturing Inc.

24157 Hwy 3, Box 639, Winkler MB, R6W 4A8, Canada

Req'd:	CNC:	Description: Right Side Window Assembly	
Drawn By: Daryl Furkalo	Date: 2009-06-02	Units: Imp.	File Name: JD2320-ASM-007R_OP
Checked By:	Date:	Size: B	



Index	Service Part #	File Name	Description	Qty
1	A00-0013	TEKT-0009	5MM Bushing	8
2	A00-0014	TEKT-0092	Thick Bushing	4
3	A00-0020	STEP-BOLT1-4X1-1-4	Step Bolt, 1/4" x 1 1/4", MB	4
4	A00-0021	FLANGE-NUT-1-4	Flange Nut, 1/4", YD	4
5	J04-0003	JD2320-027	Lower Front Glass	1
6	J04-0036	JD2320-3S-031-	Seal, Lower Front Window	1



Notice of Confidentiality

This material is property of Tektite Manufacturing Inc and is not to be used by the recipient for any purpose other than the purpose for which it was transmitted. The material remains the property of Tektite and shall be returned upon request. The material may not be reproduced or disclosed to third parties without the written consent of Tektite.

Tolerances:

Unless otherwise specified

X.X = $\pm 1/16"$
Angular = $\pm 1.0^\circ$

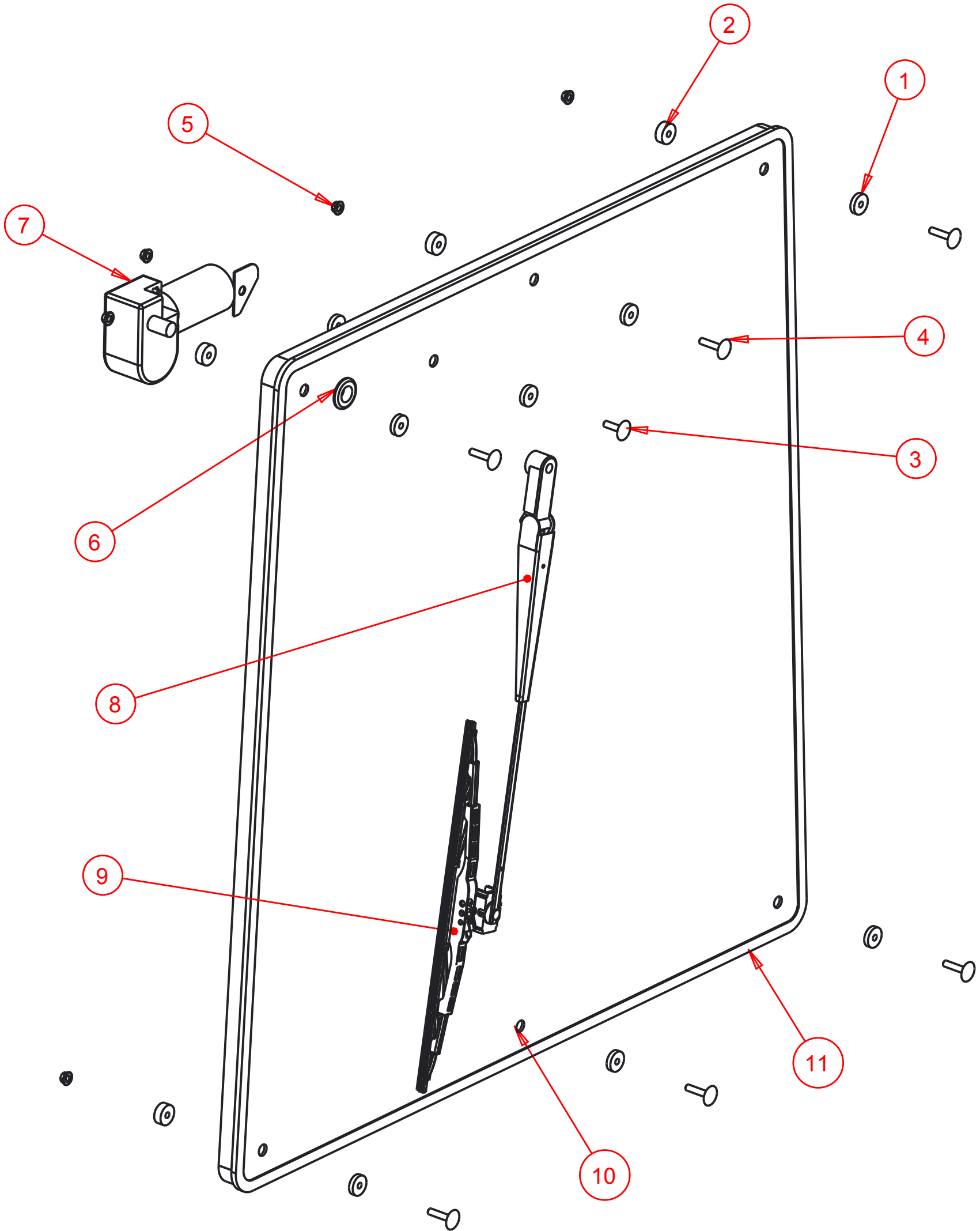
Tektite Manufacturing Inc.

24157 Hwy 3, Box 639, Winkler MB, R6W 4A8, Canada

Req'd: L&R	CNC:	Description: Lower Front Window Assembly	
Drawn By: <i>Daryl Furkalo</i>	Date: 2014-11-05	Units: Imp.	File Name: JD2320-3S-ASM-016_OP
Checked By:	Date:	Size: B	



Index	Service Part #	File Name	Description	Qty
1	A00-0013	TEKT-0009	5MM Bushing	8
2	A00-0014	THICK-BUSHING	8MM Bushing	6
3	A00-0019	STEP-BOLT1-4X1	Step Bolt, 1/4" x 1", MB	1
4	A00-0020	STEP-BOLT1-4X1-1-4	Step Bolt, 1/4" x 1 1/4", MB	6
5	A00-0021	FLANGE-NUT-1-4	Flange Nut, 1/4", YD	7
6	A00-0033	315-080	Rear Wiper Shaft Grommet	1
7	A00-0043	WWF-MOTOR	WWF Wiper Motor, 1" Shaft	1
8	A00-0108	TEKT-ASM-037	WWF, Adjustable Radial Arm, 15" to 19"	1
9	A00-0109	302-1160_BLADE	Wiper Blade, 16", Narrow Saddle	1
10	J04-0001	JD2320-025	Rear Window Glass	1
11	J04-0007	JD2320-056	Rear Window Weatherstripping	1



SCALE 0.220

Notice of Confidentiality

This material is property of Tektite Manufacturing Inc and is not to be used by the recipient for any purpose other than the purpose for which it was transmitted. The material remains the property of Tektite and shall be returned upon request. The material may not be reproduced or disclosed to third parties without the written consent of Tektite.

Tolerances:

Unless otherwise specified

X.X = ± 1/16"
Angular = ± 1.0°

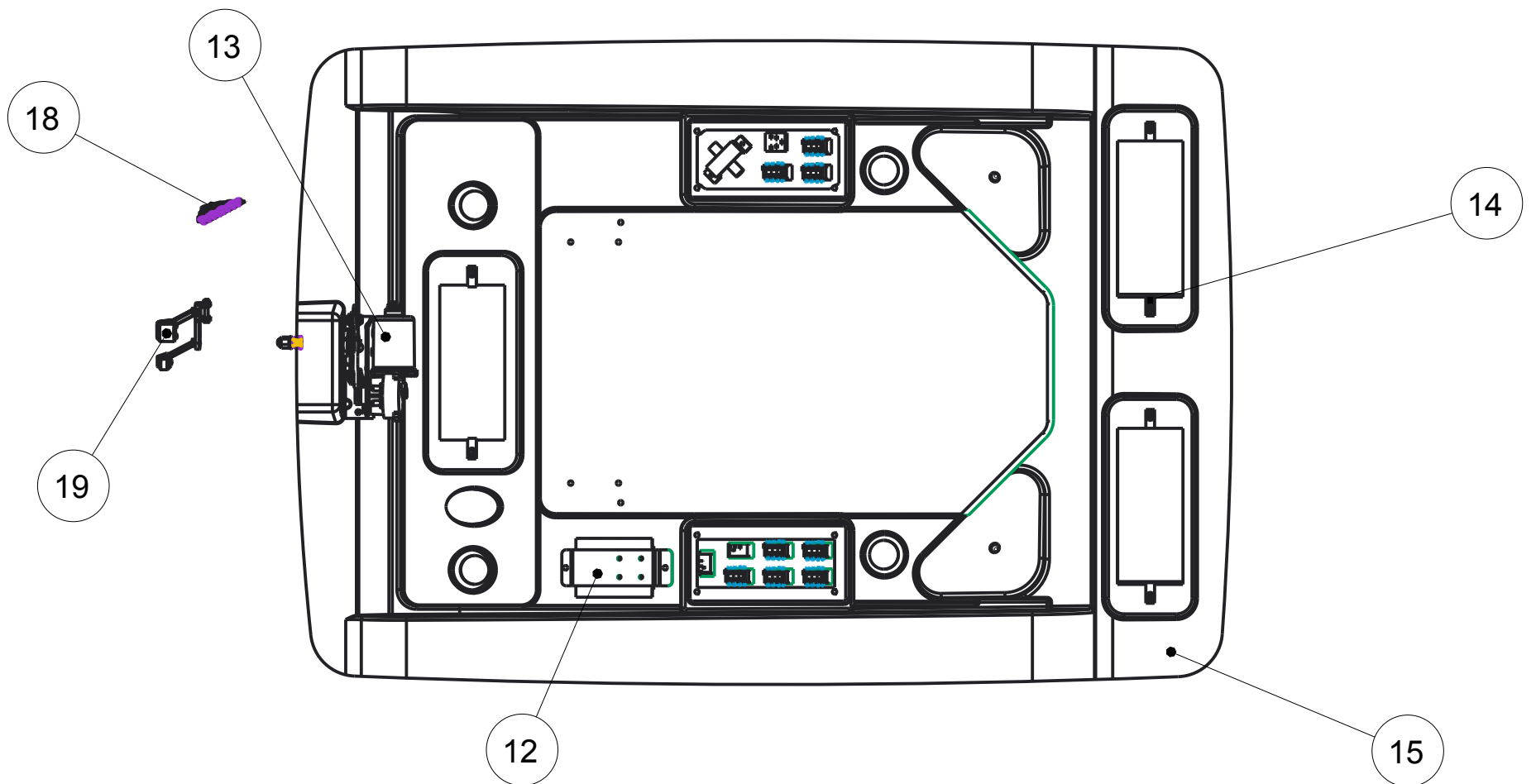
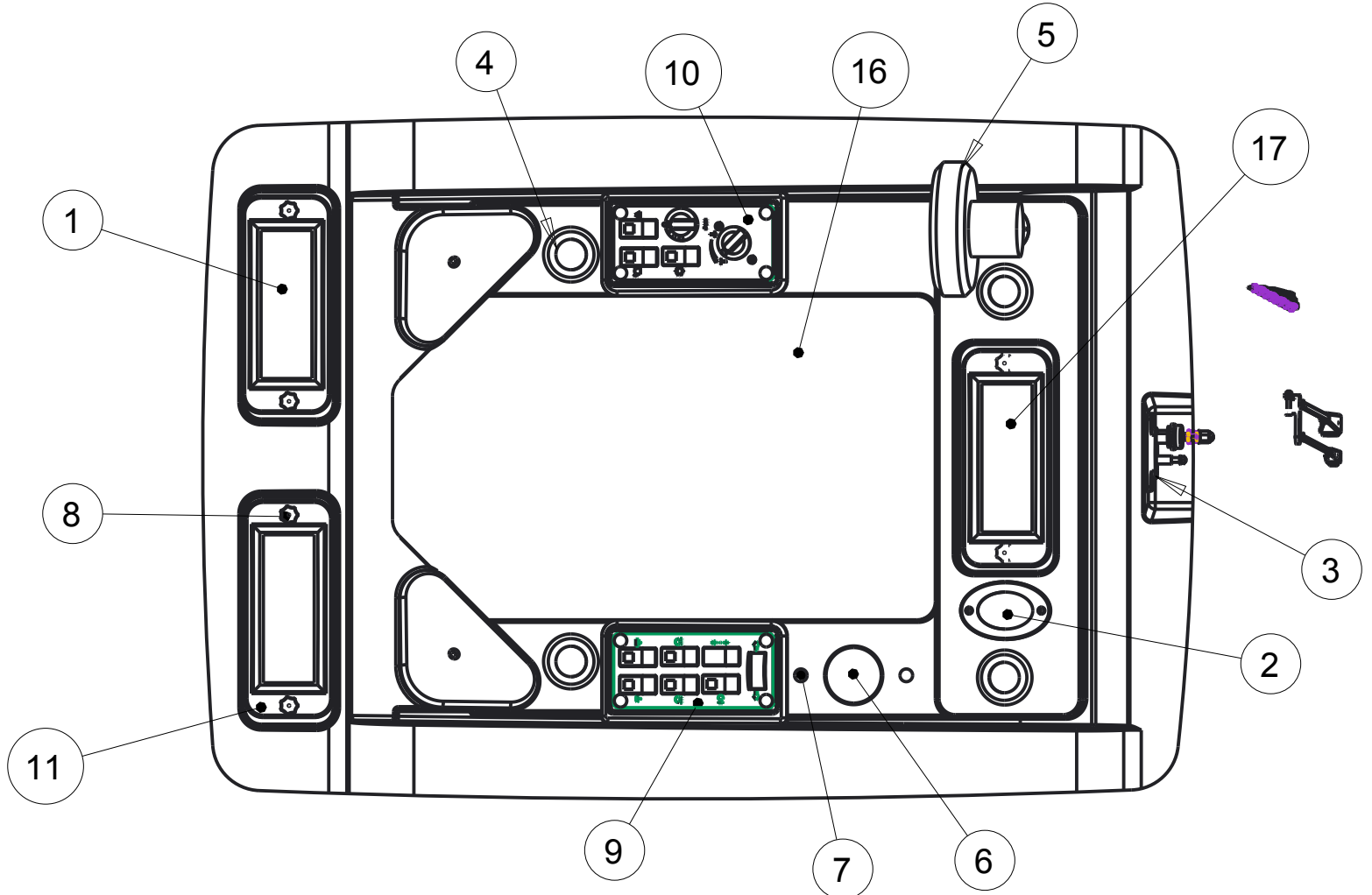
Tektite Manufacturing Inc.

24157 Hwy 3, Box 639, Winkler MB, R6W 4A8, Canada

Req'd:	CNC:	Description: Rear Window Assembly	
Drawn By: <i>Daryl Furkalo</i>	Date: 2014-11-05	Units: Imp.	File Name: JD2320-ASM-010_OP
Checked By:	Date:	Size: B	



Index	Service Part #	File Name	Description	Qty
1	A00-0006	TEKT-0074	Cabin Air Filter	2
2	A00-0016	TEKT-0075	Domelight LED	1
3	A00-0017	305-1002	Panto Mount Plate	1
4	A00-0025	BALL-LOUVER	2 1/2" Ball Louver	4
5	A00-0026	OSCILLATING-FAN	Oscillating Fan	1
6	A00-0038	TEKT-0076	3" Plug	1
7	A00-0055	TEKT-0019	Fir Tree Fastener	2
8	A00-0070	REID-KBP-262-KBP-265	Knob, Knurled, 1/4"	6
9	A00-0071	LEFT-SWITCHPLATE-ASM	Left Switchplate Assembly	1
10	A00-0072	TEKT-ASM-030	Right Switchplate Assembly, 2014 Update	1
11	A00-0073	FILTER-COVER	Filter Cover	3
12	A00-0074	TEKT-ASM-004	Fuse Block Assembly	1
13	A00-0075	WWJ-MOTOR-ASM	Front Wiper Motor, WWJ	1
14	A00-0076	TEKT-0026	1/4" Panel Nut	6
15	A00-0081	KUF2880-HEADLINER-REV1	Headliner	1
16	A00-0082	KUF2880-049	Headliner Upholstery	1
17	A00-0083	KUF2880-060	Front Filter Upholstery	1
18	A00-0127	BLADE_16	Wiper Blade, 16"	1
19	A00-0261	PANTO_ARM_16	Wiper Arm, 16" Panto	1



Tektite Manufacturing Inc.
24157 Hwy 3, Box 639, Winkler MB, R6W 4A8, Canada

Notice of Confidentiality

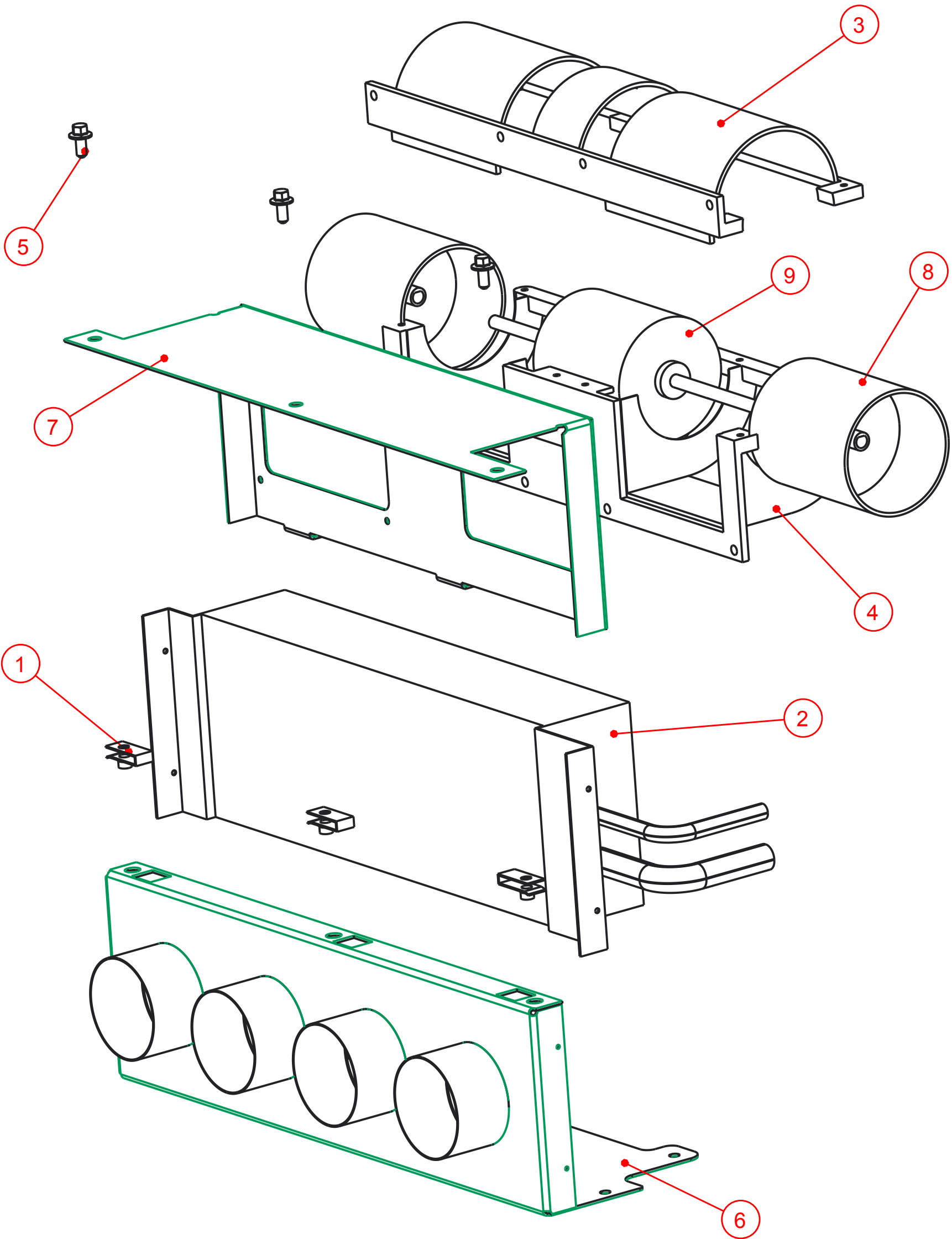
This material is property of Tektite Manufacturing Inc and is not to be used by the recipient for any purpose other than the purpose for which it was transmitted. The material remains the property of Tektite and shall be returned upon request. The material may not be reproduced or disclosed to third parties without the written consent of Tektite.

Tolerances:
Unless otherwise specified
X.X = ± 1/16"
Angular = ± 1.0°

Req'd:	CNC:	Description: Headliner Assembly, Compacts (16-16)	
Drawn By: <i>Daryl Furkalo</i>	Date: 2014-01-02	Units: Imp.	File Name: TEKT-ASM-034
Checked By:	Date:	Size: B	



Index	Service Part #	File Name	Description	Qty
1	A00-0076	TEKT-0026	1/4" Panel Nut	3
2	A00-0089	TEKT-0059	Heater Core	1
3	A00-0090	TEKT-0065	Upper Blower Housing	1
4	A00-0091	TEKT-0066	Blower Housing Lower	1
5	A00-0100	FLANGE_BOLT_1-4X1-2	Flange Bolt, 1/4" x 1/2", YD	3
6	A00-0157	TEKT-ASM-015	Bottom Heater Shroud Weldment	1
7	A00-0158	TEKT-ASM-014	Top Heater Shroud Weldment	1
8	A00-0159	TEKT-0067	Rotary Squirrel Cage	2
9	A00-0162	TEKT-0081	Fan Motor	1



Tektite Manufacturing Inc.
24157 Hwy 3, Box 639, Winkler MB, R6W 4A8, Canada

Notice of Confidentiality

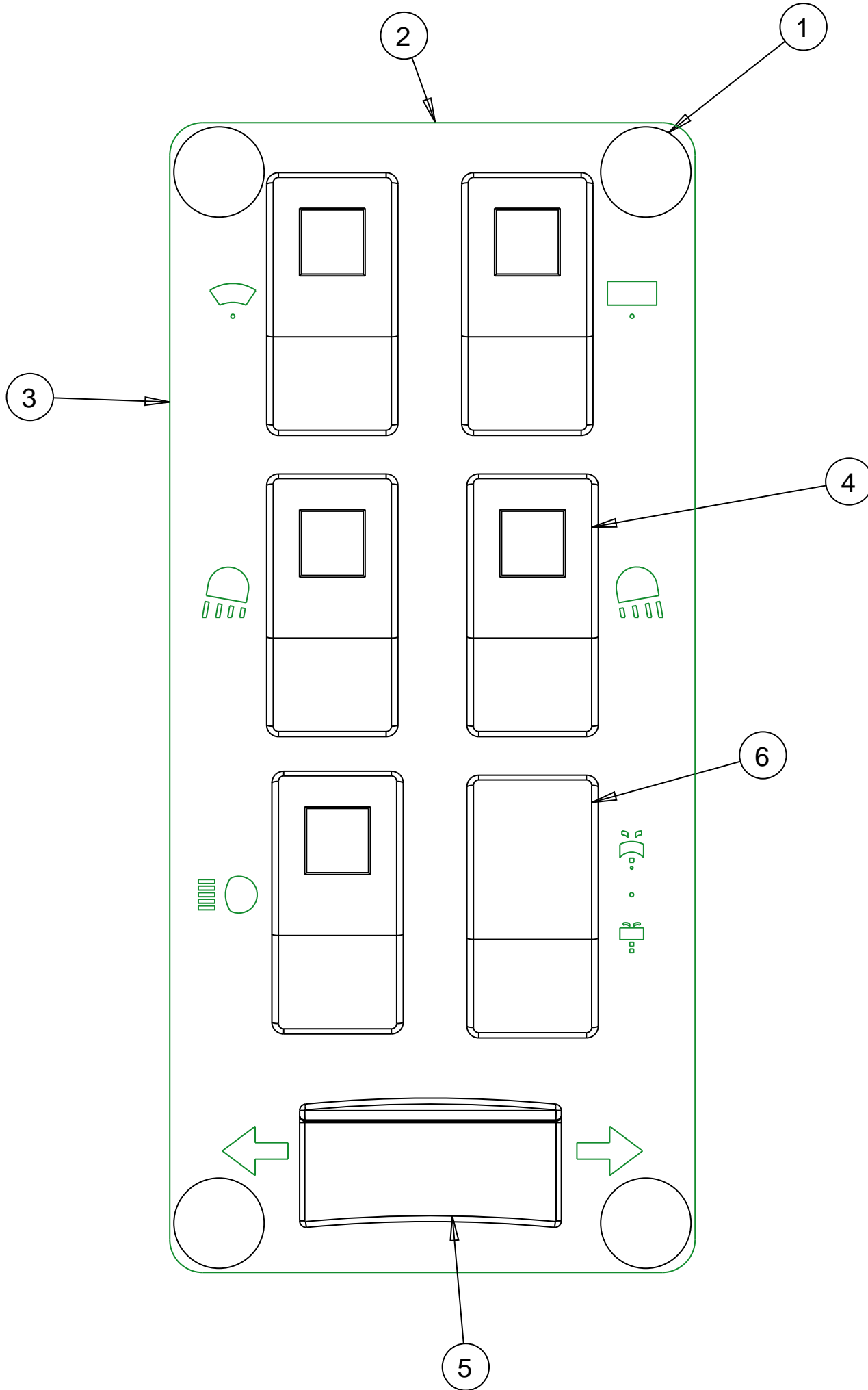
This material is property of Tektite Manufacturing Inc and is not to be used by the recipient for any purpose other than the purpose for which it was transmitted. The material remains the property of Tektite and shall be returned upon request. The material may not be reproduced or disclosed to third parties without the written consent of Tektite.

Tolerances:
Unless otherwise specified
X.X = $\pm 1/16"$
Angular = $\pm 1.0^\circ$

Req'd:	CNC:	Description: Tektite In-House Heater Assembly	
Drawn By: <i>Daryl Furkalo</i>	Date: 2014-09-17	Units: Imp.	File Name: TEKT-ASM-016_OP
Checked By:	Date:	Size: B	



Index	Service Part #	File Name	Description	Qty
1	A00-0055	TEKT-0019	Fir Tree Fastener	4
2	A00-0063	LEFT-CAB-SWITCHPLATE	Left Switchplate	1
3	A00-0064	LEFT-CAB-SWITCHPLATE-DECAL	Left Switchplate Decal	1
4	A00-0065	TEKT-ASM-005	On-Off Switch w/Lens	5
5	A00-0066	TEKT-ASM-006	On-Off-On Rocker No Lens	1
6	A00-0067	TEKT-ASM-007	Mom-Off-Mom Rocker Switch	1



SCALE 1.000

Notice of Confidentiality

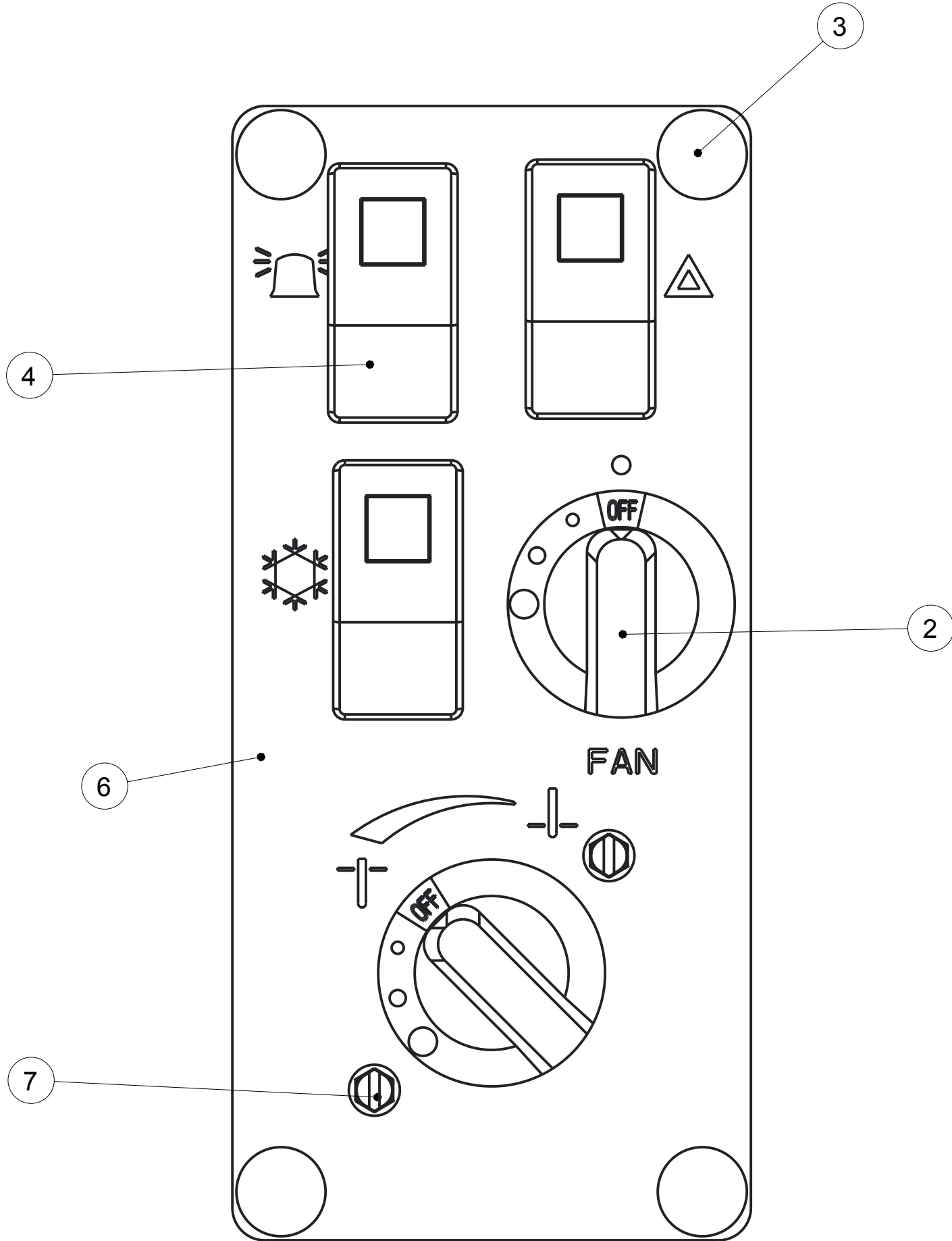
This material is property of Tektite Manufacturing Inc and is not to be used by the recipient for any purpose other than the purpose for which it was transmitted. The material remains the property of Tektite and shall be returned upon request. The material may not be reproduced or disclosed to third parties without the written consent of Tektite.

Tolerances:
Unless otherwise specified
X.X = ± 1/16"
Angular = ± 1.0 °

Tektite Manufacturing Inc. 24157 Hwy 3, Box 639, Winkler MB, R6W 4A8, Canada			
Req'd:	CNC:	Description: Operator Manual Switch Plate Left	
Drawn By: <i>Daryl Furkalo</i>	Date: 2009-03-09	Units: Imp.	File Name: LEFT-SWITCHPLATE-ASM
Checked By:	Date:	Size: B	



Index	Service Part #	File Name	Description	Qty
1	A00-0007	FAN-SWITCH	4-Position Fan Switch	1
2	A00-0054	TEKT-0018	Fan Speed Control Knob	2
3	A00-0055	TEKT-0019	Fir Tree Fastener	4
4	A00-0065	TEKT-ASM-005	On-Off Switch w/Lens	3
5	A00-0252	TEKT-0117	Water Valve Directly on Switch	1
6	A00-0253	TEKT-0119	Right Switchplate Decal, 2014 Update	1
7	A00-0282	SCREW-3-16X3-4	Screw, Self-Tap, 3/16" x 3/4"	2
8	A00-0283	TEKT-0118	Right Switchplate, 2014 Redesign	1



SCALE 1.000

Notice of Confidentiality

This material is property of Tektite Manufacturing Inc and is not to be used by the recipient for any purpose other than the purpose for which it was transmitted. The material remains the property of Tektite and shall be returned upon request. The material may not be reproduced or disclosed to third parties without the written consent of Tektite.

Tolerances:

Unless otherwise specified

X.X = ± 1/16"
Angular = ± 1.0°

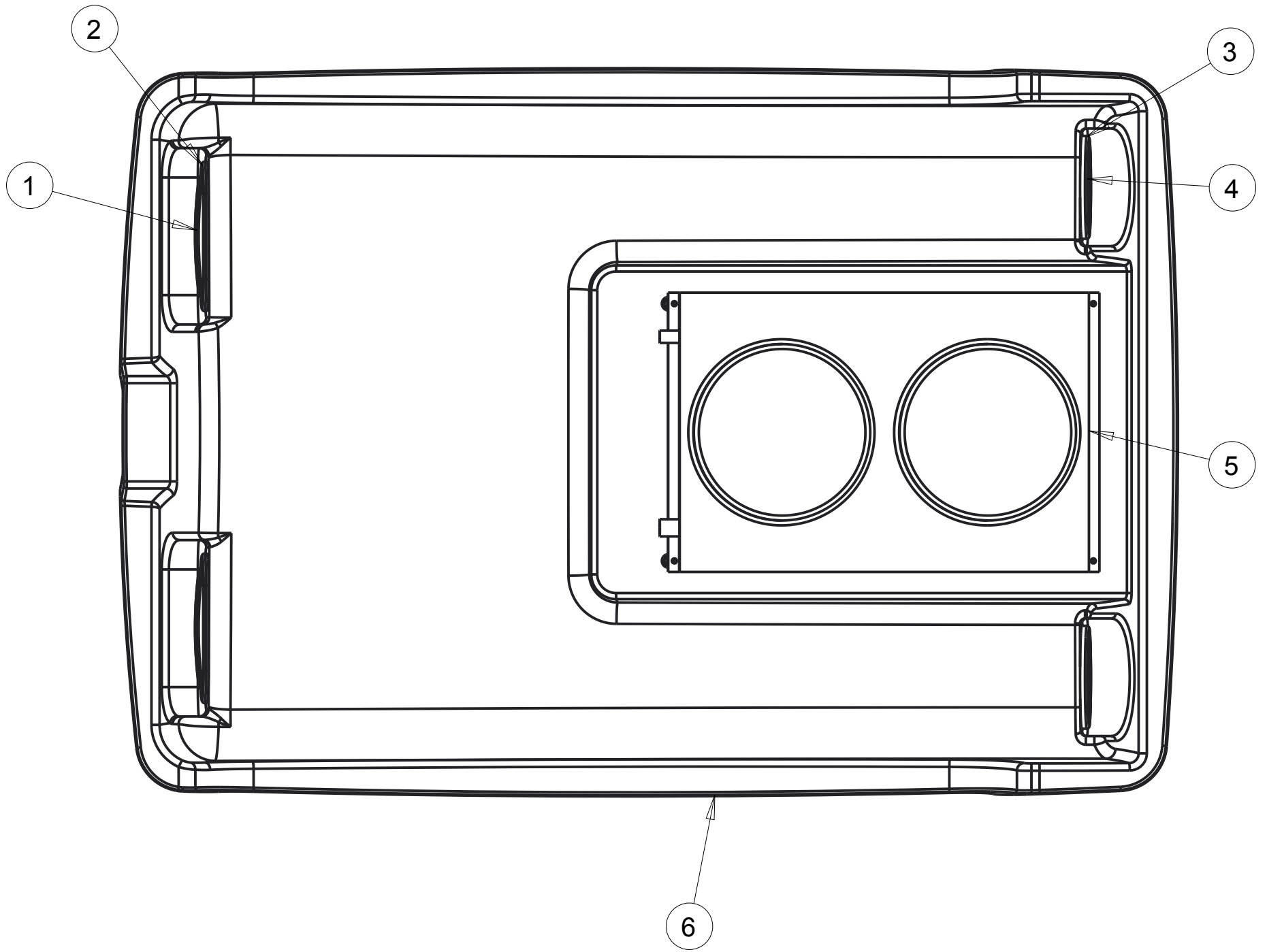
Tektite Manufacturing Inc.

24157 Hwy 3, Box 639, Winkler MB, R6W 4A8, Canada

Req'd:	CNC:	Description: New Valve Design Switch Plate, 2014	
Drawn By: <i>Daryl Furkalo</i>	Date: 2014-02-05	Units: Imp.	File Name: TEKT-ASM-030
Checked By:	Date:	Size: B	



Index	Service Part #	File Name	Description	Qty
1	A00-0008	TEKT-0077	Front Turn Signal Light LED, Amber	2
2	A00-0009	TEKT-0079	Oval LED Light Grommet	2
3	A00-0010	TEKT-0078	Round Grommet, LED Light	2
4	A00-0011	TEKT-0080	Round Turn Light	2
5	A00-0078	RED-DOT-CONDENSOR	Red Dot Condensor 77R1602	1
6	J04-0012	KUF2880-ROOF	Roof	1



Notice of Confidentiality

This material is property of Tektite Manufacturing Inc and is not to be used by the recipient for any purpose other than the purpose for which it was transmitted. The material remains the property of Tektite and shall be returned upon request. The material may not be reproduced or disclosed to third parties without the written consent of Tektite.

Tolerances:

Unless otherwise specified

X.X = $\pm 1/16"$
Angular = $\pm 1.0^\circ$

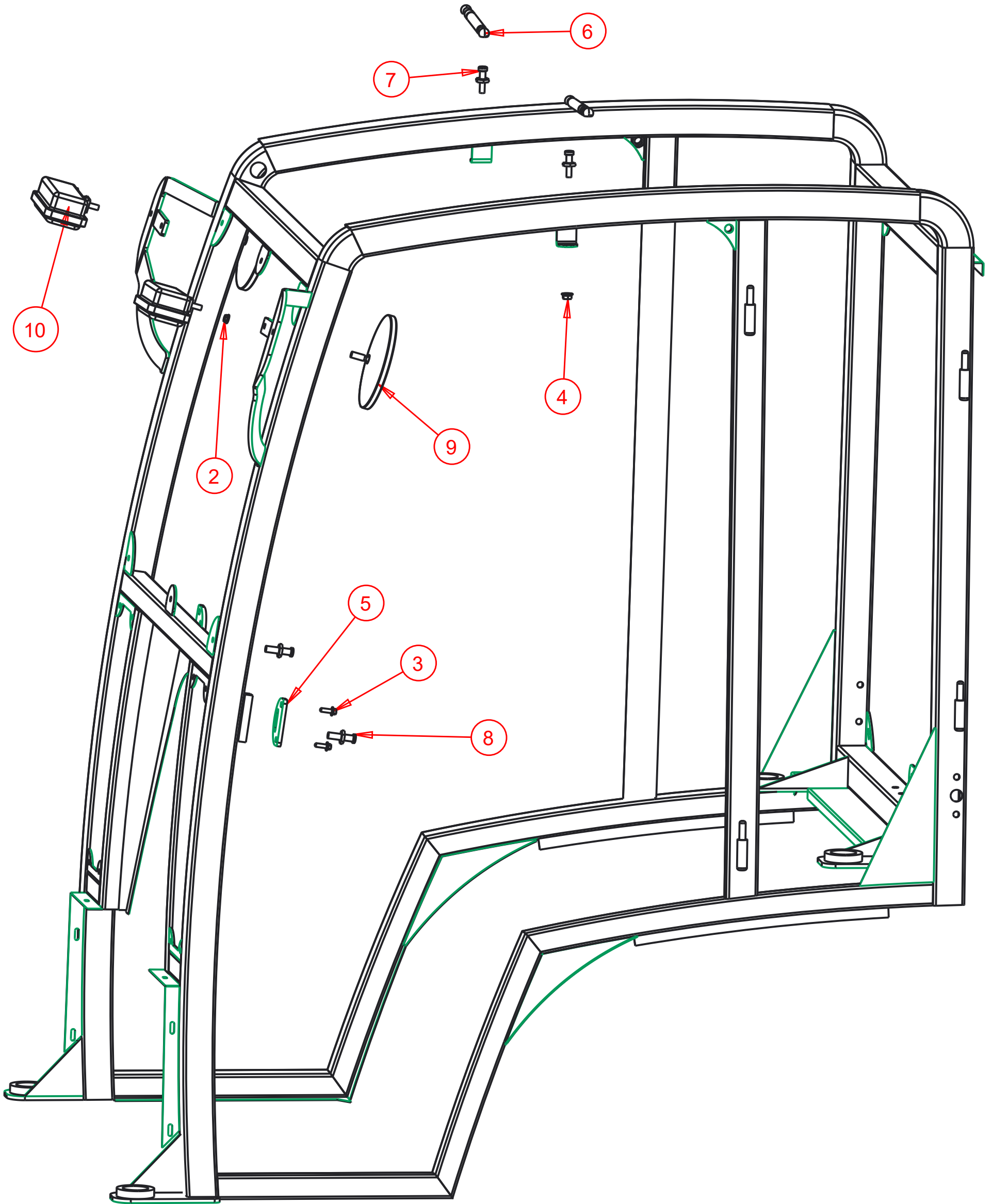
Tektite Manufacturing Inc.

24157 Hwy 3, Box 639, Winkler MB, R6W 4A8, Canada

Req'd:		CNC:		Description: Roof Assembly	
Drawn By: <i>Daryl Furkalo</i>		Date: 2013-02-01		Units: Imp.	File Name: KUF2880-ROOF-ASM
Checked By:		Date:		Size: B	



Index	Service Part #	File Name	Description	Qty
1		JD2320-ASM-004-SHIELD	Shielding Weldment	1
2	A00-0021	FLANGE-NUT-1-4	Flange Nut, 1/4", YD	2
3	A00-0023	FLANGE_BOLT_1-4X3-4	Flange Bolt, 1/4" x 3/4", YD	4
4	A00-0059	FLANGE-NUT-5-16	Flange Nut, 5/16", YD	2
5	A00-0061	TEKT-0021	Striker Mounting Plate	2
6	A00-0084	TEKT-0070	Gas Shock	2
7	A00-0085	TEKT-0069	Gas Shock Stud	2
8	A00-0101	STRIKER-PIN	Striker Pin	2
9	A00-0141	ROUND_MIRROR_6_INCH	External 6" Mirror	2
10	A00-0371	TEKT-0175	New LED Work Light (Blazer Intl)	2



Tektite Manufacturing Inc.
24157 Hwy 3, Box 639, Winkler MB, R6W 4A8, Canada

Notice of Confidentiality

This material is property of Tektite Manufacturing Inc and is not to be used by the recipient for any purpose other than the purpose for which it was transmitted. The material remains the property of Tektite and shall be returned upon request. The material may not be reproduced or disclosed to third parties without the written consent of Tektite.

Tolerances:
Unless otherwise specified
X.X = ± 1/16"
Angular = ± 1.0°

Req'd:	CNC:	Description: Accessories Assembly	
Drawn By: <i>Daryl Furkalo</i>	Date: 2016-11-23	Units: Imp.	File Name: JD2320-ASM-020_OP
Checked By:	Date:	Size: B	