

Kubota BX2360 / BX2660 ROPS Cab



Please note: BX2670 is shown in photo.

Kubota KuBX-010 ROPS Cab

This ROPS cab is designed and built to fit:
Kubota BX2360, BX2660 and BX2350.

Designed and built by:

Tektite Manufacturing Inc:

P.O. Box 639, 427 Buffalo Street

Winkler, MB, Canada

R6W 4A8

PH: 204-331-3463

parts@tektite.ca

One-year standard product warranty provided by Tektite Manufacturing Inc.

www.tektite.ca / www.tektitecabs.com



DO NOT PROCEED FURTHER UNTIL YOU HAVE READ THE INFORMATION BELOW.

- 1) Always wear personal protective equipment.
- 2) A minimum of two people is necessary to safely install the cab.
- 3) This ROPS cab is heavy. A lift assist device such as an overhead hoist or high lift forklift is required.
- 4) Ensure your work area is well ventilated. The installation requires the starting of the tractor which will produce dangerous carbon monoxide fumes.
- 5) Read through the entire installation manual first.
- 6) Follow the installation instructions in order.
- 7) Reading the operators manual prior to using the ROPS cab.

Tektite Manufacturing Incorporated thanks you for purchasing a Kubota BX series ROPS cab! Tektite has worked very hard to design and build this ROPS product and we hope that it provides you with many years of protection.

Tektite's products are designed to provide safe and dependable service during operation when they are properly maintained according to the instructions. Please read this installation manual carefully before installing and using this product.

The photos/illustrations provided in this manual may not provide all the detail needed and are for reference only.

All directions provided are from the reference point of the tractor seat facing the steering wheel. All left and right references are from this viewpoint.

For reference, please fill in the information below. This will assist your dealer in providing service for this product. It is advisable that this information be provided to your insurance company as well in the event that the tractor is lost or damaged.

Vehicle Model: _____

Tektite Serial Number: _____

Date of Purchase: _____

Dealer Name: _____

Parts List Standard Cab:

Weather Seal Components:

Description	Qty
PTO Selector 90° Weather seal	8"
PTO Engage 90° Weather seal	7 ½"
Back Inner RH 90° Weather seal	4 ¾"
Throttle 90° Weather seal	8 ¼"
3-Point Lever 90° Weather seal	7 ½"
Front Wheel Assist Lever 90° Weather seal	4"
Diff Lock Pedal 180° Weather seal	4"

Mounting Parts Bag:

Description	Qty
Front Bracket Spacers (no loader) ½" spacer tubes	6
Bolt, Hex, 5/8" x 3", Gr. 8, YD	2
Washer, Flat, ¼" thick	2
Nut, Flange, 5/8", Gr. 8, YD	2
Bolt, Hex, ½" x 4 ½", Gr. 8	2
Bolt, Hex, M14 x 1.5 x 50mm, Gr. 8.8	6
Wire Loop, 1/4", Yellow	2
Wire Loop 3/8"	2

Loose Components:

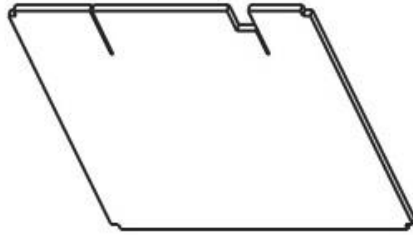
Description	Qty
Under-seat upholstery	1
Front Mounting Brackets	L&R
Rear Brackets (PRE-INSTALLED)	2
Floormat	1

Parts List Water Heater Kit:

Description	Qty
Grommets, 1" hole, 3/8"ID Hose	2
Hose Clamps, HS-6	2
Zip Ties, Standard	6

Parts List Optional Winter Front Kit:

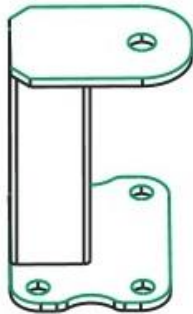
Description	Qty
Winter Front	1
Button Snap Back w/Screw	4



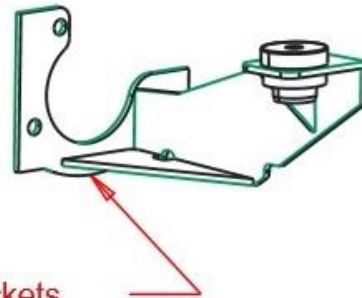
Underseat Upholstery



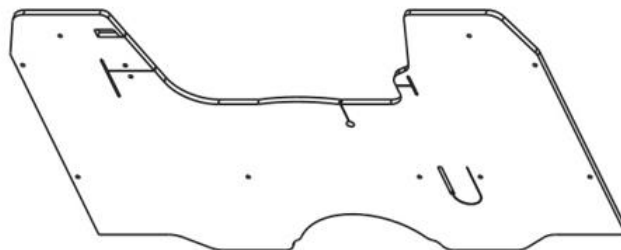
No-Loader Spacers (6)



Rear Brackets
Top Plate 4 9/16"
in length



Front Brackets
Left & Right
NOTE Round



Floormat
BX2370-BX2670

Seal Kit Installation Instructions:

1. Take the under-seat upholstery and position it under the seat. Ensure there is adequate clearance for the seat and controls, and then glue into place.



2. Go to the left fender and take the 8" piece of 90° weather seal and slide it onto the edge of the PTO selector lever cover.



3. Take the 7 ½" piece of 90° weather seal and slide it onto the edge of the PTO engage cover.

4. Go to the right fender and take the 4 ¾" piece of 90° weather seal and slide it onto the edge of the back inner slot that is open.



5. Take the 8 ¼" piece of 90° weather seal and slide it onto the edge of the throttle lever cover.

6. Take the 7 ½" piece of 90° weather seal and slide it onto the edge of the 3-pt lever cover.

7. Take the 4" piece of 90° weather seal and slide it onto the edge of the front wheel assist lever cover.

8. Take the 4" piece of 180° weather seal and slide it the edge of the sheet-metal at the diff lock pedal opening.



Standard Cab Installation Instructions:

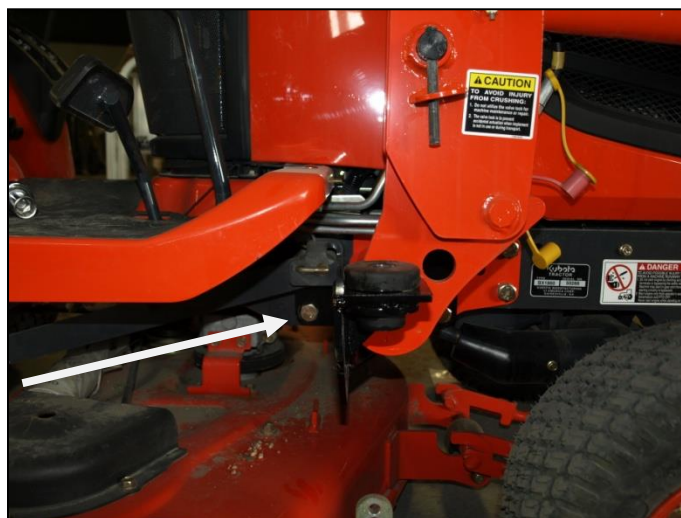
Prior to starting, park tractor in a well-ventilated location, lower all tractor attachments.

1. Disconnect rear flasher light harness and remove two-post ROPS from machine. Save fasteners to re-use later.

2. Take the left front bracket and position it against the tractor bell housing matching the bolt pattern of the bracket. Use three washer spacers per side if no loader is present. If loader is present remove the three fasteners that will be used by the mounting bracket. Using the provided M14 x 50mm fine thread bolts, loosely attach the mounting bracket. Do NOT torque until after the cab is installed.



3. Repeat step 2 for the right front bracket.



4. Remove the two cab doors by un-hooking the gas shock at the ball stud mounted to the door. To remove the gas shock on the left cab door, slide a flat screwdriver underneath the small clip on the end cap that must be pulled UP order to pop the shock off of the ball stud. **The shock will release very easily when this is accomplished.** Lift the door assembly straight up and off of the cab and put aside for now. Take one $\frac{1}{2}$ " x $4\frac{1}{2}$ " hex bolt and fasten to the mount at the top of the B-post where a weld nut is located. Repeat for the other side.



5. Using a chain or lift strap, connect the lift bolts to an over head hoist or forklift.

6. Un-bolt the cab from the front and rear shipping brackets and lift the cab off of the shipping pallet. Lift cab over tractor. Slowly lower down until the front and rear isolators contact the mounting plates. The cab should be lowered straight down so that the rear brackets fit onto the location where two-post ROPS was mounted.

7. Using one $\frac{5}{8}$ " x 3" bolt, heavy flat washer, and flange nut, start the front bracket isolator fasteners. NOTE: the heavy flat washer is used on the bottom of the isolator underneath the bracket.



8. Once all isolators are started, torque the isolator fasteners to 200 ft-lbs. The M12 rear nuts should be torqued to 98 ft-lbs. The front bracket M14 fasteners should be torqued to 130 ft-lbs.
9. Remove the lift straps/chain and lift bolt from cab frame. Re-install the cab doors.
10. Route the main cab harness towards the battery. Connect the 10GA red wire to the positive side of the battery with the provided 1/4" loop connector. Shorten wire if necessary, then solder connector to wire.
11. Route the 10GA black wire to the negative side of the battery and connect to ground terminal with provided 1/4" loop. Short wire if necessary, then solder connector onto wire.
12. Take the flasher lights from the 2-post ROPS and attach to tabs on rear of cab.



13. Take the SMV sign mount from the ROPS and attach to the rear shield of the cab, through the two holes provided.



14. Take the SMV mount plate and apply bend to part that fits into sign mount. Adjust until such time that the SMV sign sits fairly straight when installed onto cab.



15. Remove off the factory fuel cap. Take the pre-assembled fuel fill assembly inside of the cab and check for tolerance to install onto fuel cap. If the hose is too long, loosen clamps and shorten as necessary to required length. Re-install hose and tighten fuel cap down onto fuel fill nozzle. Tractor fuelling is now accomplished outside of the cab on the rear. The rubber washer **MUST** be between the steel ring on the weldment and the top of the fuel neck on the tractor. **THIS** will ensure that diesel fuel will **NOT** leak into the cab!

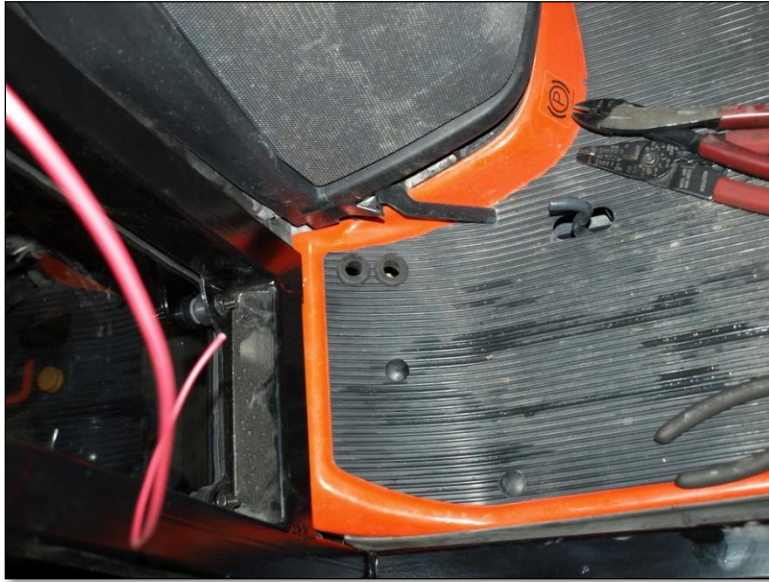


NOTE: the cab for the BX is designed to provide protection from the winter elements. The tractor air intake will draw air through the cab. If cab is used in the summer, remove all vinyl panels, side glass pieces, and doors to ensure engine receives enough fresh air.

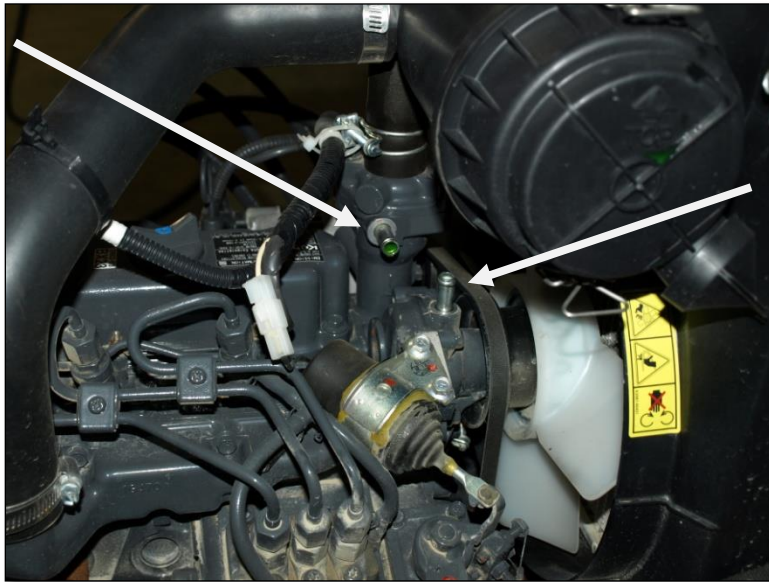
NOTE: in the winter, the plastic panel underneath the battery can be removed to allow air intake from underneath the tractor. Block the air intake screen to force all fresh air into the engine to come from below the tractor. This will reduce the amount of air rushing into the cab in winter!

Heater Installation Instructions:

1. Drill two 1" diameter holes through the left floor board behind the platform support bracket. See photo for general location.



2. Install provided grommets into floor board.
3. Drain engine antifreeze.
4. Remove bypass hose on engine.



5. Route 3/8" ID hoses from bypass fittings through the floorboard and to the heater. Connect hoses to the fittings with provided HS-6 hose clamps.



6. Re-fill tractor with engine coolant.

7. Start engine, turn heater on and run engine to purge system of air. Run with radiator cap off and at higher throttle in order to get thermostat to open and cycle coolant into radiator system. It will be necessary to top coolant up a few times to properly fill system.

Optional Winter Front:

Remove the air intake cover shroud from tractor.

Locate the plastic panel shown in the next photo on the left side and remove from the tractor.



Remove the plastic panel from the right side as well.

Take the cover shroud and position the winter front over the plastic shroud. Center it on the shroud and mark the button locations on one side of the shroud.

Drill 1/16" holes and then fasten button snap backs to the plastic shroud.



Wrap the winter front around the shroud, ensure it is tight, and mark the holes for the opposite side retainers.

Drill 1/16" holes and fasten button snap backs to the plastic shroud.

Install winter front onto shroud



Re-install the shroud onto machine.

NOTE: the cab for the BX is designed to provide protection from the winter elements. The tractor air intake draws air through the cab. If cab is used in the summer, remove all side windows and doors to ensure engine receives enough fresh air.

NOTE: in the winter, two plastic panels beside the battery can be removed to allow air intake from underneath the tractor. Order the Tektite BX60 winter front kit to block the air intake screen to force all fresh air into the engine to come from below the tractor. This will reduce the amount of cold air rushing into the cab in winter! Winter front **MUST be removed in warm weather, otherwise engine may overheat.**

Kubota BX Series ROPS Cab



Please note: BX2670 is pictured above. ** Shown with optional equipment

Kubota BX Series Cab

This ROPS cab is designed and built to fit:
Kubota BX1860/1870 and Kubota BX2360/2370/2660/2670.

Designed and built by:

Tektite Manufacturing Inc:
P.O. Box 639, 427 Buffalo Street
Winkler, MB, Canada
R6W 4A8
PH: 204-331-3463
parts@tektite.ca

One-year standard product warranty provided by Tektite Manufacturing Inc.
www.tektite.ca / www.tektitecabs.com



DO NOT PROCEED FURTHER UNTIL YOU HAVE READ THE INFORMATION BELOW.

- 1) Always wear personal protective equipment.
- 2) A minimum of two people is necessary to safely install the cab.
- 3) This ROPS cab is heavy. A lift assist device such as an overhead hoist or high lift forklift is required.
- 4) Ensure your work area is well ventilated. The installation requires the starting of the tractor which will produce dangerous carbon monoxide fumes.
- 5) Read through the entire installation manual first.
- 6) Follow the installation instructions in order.
- 7) Reading the operators manual prior to using the ROPS cab.

Tektite Limited Warranty

Tektite Manufacturing Inc. (“Tektite”) warrants to the original purchaser (the “Claimant”), that Tektite products will be free from defective materials or workmanship, under normal use and service, for a period of (1) full year from the original invoice date. Tektite’s liability under this Limited Warranty is limited to the repair or (at the discretion of Tektite) the replacement of those components of its products, which were manufactured by Tektite that are defective in materials or workmanship. Tektite shall have no liability under this Limited Warranty unless Tektite is notified of the defect during the stated Warranty Period.

Limitations and Exclusions: Tektite has no responsibility to a Claimant under this Limited Warranty or on any other basis for any of the following:

- a) defects caused, in whole or in part, by accident or misuse, negligence or failure to maintain the product or component;
- b) products or components sold to a customer on an “as is” basis;
- c) wiper blades, light bulbs, fuses, clear vinyl or other consumables;
- d) glass where the point of failure has not been preserved intact and delivered to Tektite for analysis of the cause of the failure;
- e) products or components which have been modified after shipping from Tektite to its customer;
- f) transportation charges for returned, repaired or replacement items;
- g) defects that are subject of a Tektite initiated recall where the Claimant fails to comply with the terms of the recall notice that comes to the attention of the Claimant;
- h) components of Tektite products that are manufactured by third parties (Tektite’s only obligation in relation to such components shall be to accord to the Claimant the benefit of any transferable warranty accorded to Tektite by third party manufacturer);
- i) defects in workmanship or materials in products or components that are repaired or replaced by Tektite unless Tektite is notified of the new defect within the Warranty Period that applied to the original product or component that has been repaired or replaced;
- j) defects that result, in whole or in part, from inadequate engineering or specifications provided to Tektite by its customer;
- k) any actual or alleged deficiency in technical or engineering services or advice provided by Tektite to its customer whether provided for valuable consideration or otherwise;
- l) consequential damages, or any other damages whether foreseeable or not, resulting from the defect or any delay in remedying the defect;
- m) any breach or alleged breach of any implied warranty of merchantability or fitness for particular purpose of use;
- n) defects or part failure due to misuse or failure to follow recommended cab installation procedures; and
- o) travel expenses, including mileage.

This Limited Warranty expresses the entire obligation of Tektite, its officers, directors, agents and employees, to its customer or any Claimant in respect of any defect in workmanship, or materials of any product or component sold or manufactured by Tektite whether on grounds of breach of contract, negligence or other tortious liability, breach of express or implied warranty or other basis in law of any jurisdiction.

Acceptance by a customer of delivery of products of Tektite constitutes acceptance of this Limited Warranty in lieu of all other warranties express or implied including without limitation all implied warranties of merchantability or fitness for particular purpose or use and constitutes acceptance by customer of the exclusions and limitations of the liability of Tektite set out above. Once received, the cab should have ALL exterior cardboard, Styrofoam wrapping removed for immediate inspection of product to ensure that no damages have occurred during transportation. Outer coverings should stay off the cab and the cab be stored indoors in a controlled environment. The warranty card must be completed and returned to Tektite.

Warranty claims should be reported to parts@tektite.ca. A warranty claim form and instructions will be provided at this time. Warranty work not pre-authorized by Tektite may not be covered by this warranty agreement. Labor rate and time allowances are fixed by Tektite. Approved warranty claims will be issued in the form of credits applied to customer account.

Safety Precautions

Safety First

Read these instructions carefully. It is essential that you read the instructions and safety regulations before you attempt to assemble or use the features that are on this cab/ROPS.

Danger: Indicates an immediate hazardous situation which, if not avoided, will result in death or serious injury.

Warning: Indicates a potentially hazardous situation which, if not avoided, may result in death or serious injury.

Caution: Indicates a potentially hazardous situation which, if not avoided, may result in minor or moderate injury.

Important: Indicates that cab or property damage may result if instructions are not carefully followed.

NOTE: All products are designed to give safe, dependable service if they are operated and maintained according to instructions. It is the owner's responsibility to be certain anyone operating this product reads this manual, and all other applicable manuals, to become familiar with this cab and all safety precautions. Failure to do so could result in serious personal injury or cab damage. If you have any questions, consult your dealer. Read and understand this manual before operation.

NOTE: A safe operator is the best assurance against accidents. All operators, no matter how experienced they may be, should read this operator manual and all other related manuals before attempting to operate features in this cab/ROPS and operate the base tractor. Please read the following section and pay particular attention to all safety recommendations contained in this manual and those labelled on the cab and on the tractor.

General Safety

1. Never let an unqualified or untrained driver operate the tractor.
2. Keep a fire extinguisher, with ABC rating securely fastened in the ROPS. Maintain it and be familiar with its use.
3. Do not carry passengers.
4. Never operate the tractor in a closed building for a prolonged period. Ensure adequate ventilation is present, as engine exhaust fumes are poisonous and can kill.
5. Always keep sleeves, jackets or other loose clothing relatively tight and belted. Loose clothing may catch on moving parts and result in severe personal injury or death.
6. Provide a first-aid kit, securely attached inside of the ROPS for use in case of accident.
7. Never jump from the tractor. There is a danger of tripping or falling on protruding parts.
8. Use steps and hand holds when mounting and dismounting the tractor, or for servicing components too high to reach from the ground.
9. When seated in the ROPS, fasten seat belt before starting the engine. A proper seat belt must be worn at all times when using a ROPS.
10. Safety devices and shields are intended to protect operators from injury or death. Under no circumstances should they be modified, disabled or removed.

Operating Safety

1. Always operate the tractor controls while sitting in the operator's seat.
2. Lock seat in position and buckle seat belt before operating the tractor.
3. Avoid abrupt sharp turns at high speeds.
4. On sloped terrain, do not make sharp turns as machine stability could be compromised.
5. Operate the tractor smoothly, avoid abrupt starts and stops.
6. Keep all shields in place when operating the tractor.
7. Do not operate the tractor when you are tired, sick, or impaired.
8. Never operate the tractor in confined areas; visibility next to the tractor is reduced. Injury to bystanders or damage to the ROPS or equipment may result.

Safety

Carefully review the procedures given in this manual and the tractor operator's manual with all operators annually. It is important that all operators become familiar with, and follow safety precautions. Operating instructions must be given to everyone using the tractor before operation and at least once yearly thereafter in compliance with OSHA Regulations 1928.57 (United States).

Safe Operation on Rough Terrain

1. Drive the tractor slowly on hillsides and curves to eliminate the danger of tipping. Avoid slopes which are too steep for safe operation. Avoid sharp uphill turns.
2. Always drive slowly enough over rough ground or obstructions. Drive at speeds slow enough to ensure your safety.
3. When driving out of a ditch, gully, or up a steep hillside, engage the clutch slowly. Avoid sharp uphill turns.
4. When descending steep grades, select a sufficiently low gear to maintain control with minimum use of braking.
5. Use caution when driving near the edge of a ditch or gully. It may cave in, causing the tractor to roll over.
6. Be alert when operating near trees, slopes and around obstructions. Tree branches can cause damage to ROPS components.

Maintenance Safety

1. Remove mud, crop residue, chains, and tools from steps and operator's platform. They may interfere with pedal operation or entry/exit from tractor.
2. When servicing components are too high to reach from the ground use steps and handholds. Do not use fenders or shields that are not designed as steps.

Safe Highway Operation

1. Before operating the tractor on, or near, public roadways check with your local authorities for any local regulations that will affect you.
2. Equip towed implements with slow moving vehicle (SMV) signs when traveling on public roads.
3. Install additional lights on implement rear to safeguard against rear end collisions.
4. Use hazard warning flashers as required by law when transporting or driving on public roads. If the tractor had warning flashers removed when mounting the ROPS, they must be replaced prior to operation on public roads.
5. Keep to the right, yielding right-of-way traffic, especially if pulling implements. Pull off the road and stop to allow motorists to pass. Drive on the road shoulder, if permitted by law.
6. Use extreme caution when pulling heavy loads at road speeds. Avoid hard application of the tractor brakes at high speed.
7. Always drive slowly near curbs, approaches or ditches.
8. If equipped, ensure headlights are aligned so they will not blind the operator's of oncoming vehicles. If the tractor is not equipped with turn signals and law requires them, install them prior to operating on or near public roads.
9. Use your turn signals, checking for traffic well in advance of turning. If the tractor is not equipped with turn signals and law requires them, install them prior to operating on or near public roads.

Safety Decals

1. Keep decals clean. Remove dirt with a wet clean cloth when necessary.
2. Replace safety decals if destroyed, missing, painted over or unreadable. If any safety decals are covered or obscured when the ROPS is mounted, it is recommended that you purchase replacement decals from the tractor manufacturer. Mount them in a readable location at, or near, their original location before operating the tractor.
3. New ROPS decals and tractor decals are available from your tractor dealer.

ROPS Safety

1. Install the ROPS in accordance with Tektite mounting instructions. Failure to do so may affect the ROPS ability to withstand a roll over.
2. If the ROPS is subjected to alteration, structural damage or involved in an over turn accident, the entire structure must be replaced. Failure to do so may result in injury or death in the event of a roll over.
3. If the tractor is not equipped with seat belts, purchase approved seat belts from the tractor manufacturer or Tektite prior to operating the tractor.
4. Always fasten seat belts prior to operating the tractor.
5. Always operate the tractor from the operator's seat.
6. Remove mud, crop residue, chains and tools from steps and operator's platform. They may interfere with pedal operation or entry/exit from the tractor.
7. Remove all loose chains, tools, and equipment from the operator's platform. Failure to do so may cause injury or death in the event of a roll over.
8. Do not install the ROPS on a tractor model that the ROPS is not designated for (compatible tractor designations are printed on the ROPS serial number plate). The ROPS is designed specifically for individual models to ensure ROPS requirements will be met. Installing the ROPS on a non designated tractor may result in injury or death.

Emergency Exits

The ROPS cab has two doors. Either one can be used during an emergency.

Operating Instructions

Important

The following section locates, identifies and briefly describes the functions of all cab controls. All operators should familiarize themselves with control location and function prior to operating the tractor. Failure to do so may result in unsafe operation of the tractor and possible injury or death to operators and bystanders.

There is one switch plate located in the cab. The following switches are available and their functionality is described.



Cab Switch Plate

1. Front Wiper Rocker Switch (standard)

Low position: Off

High position: On

Note: indicator light activates when wiper is on.

2. Rear Wiper Rocker Switch (not available on all models)

Low position: Off

High position: On

Note: indicator light activates when wiper is on.

3. Front Work Light Rocker Switch (optional)

Low position: Off

High position: On

Note: indicator light activates when work lights are on.

4. Rear Work Light Rocker Switch (optional)

Low position: Off

High position: On

Note: indicator light activates when work light is on.

5. Washer Momentary Switch (Front and Rear optional)

Low position: On

Mid position: Off

High Position: On

6. Beacon Rocker Switch (optional)

Low position: Off

High position: On

Note: indicator light activates when work lights are on.

7. Water Heater Fan Rocker Switch (standard)

Low position: Off

High position: On

Note: indicator light activates when the water heater is on.

Standard and optional features are individually fused, and the fuses can be accessed behind the plug in the middle of the switch-plate.

Cab Circuit Protection

The Tektite ROPS cab is wired to provide maximum protection against individual circuit overload. All optional components are fused internally behind the cab switch plate. Cab wiring is direct to the tractor battery. DO NOT leave options activated when tractor is not running as battery run down can occur.

Please note: Tektite does have a key switch power option to provide maximum protection against accidental battery rundown and circuit overload. A relay is ignition activated and prevents the operator from accidentally leaving fan motors, lights on after turning the tractor off and leaving for the day. A circuit breaker is provided to prevent the cab electrical components from drawing more power than they should be able to from a dead short. This option can come with your cab if selected or field installed at a later date.

Kubota BX Deluxe Cab

The deluxe BX cab is design to provide ROPS protection along with reasonable winter weather protection. The deluxe cab design for this model features glass windows at all window locations. The BX tractor draws its air intake from underneath the steering wheel, so the tractor cab cannot be completely sealed, otherwise it will starve the engine for air.

If you are going to be running the tractor with the cab on during the summer months, un-hook the gas shocks on each door, and then lift the doors off of the pin hinges.

After your ROPS Cab has been installed:

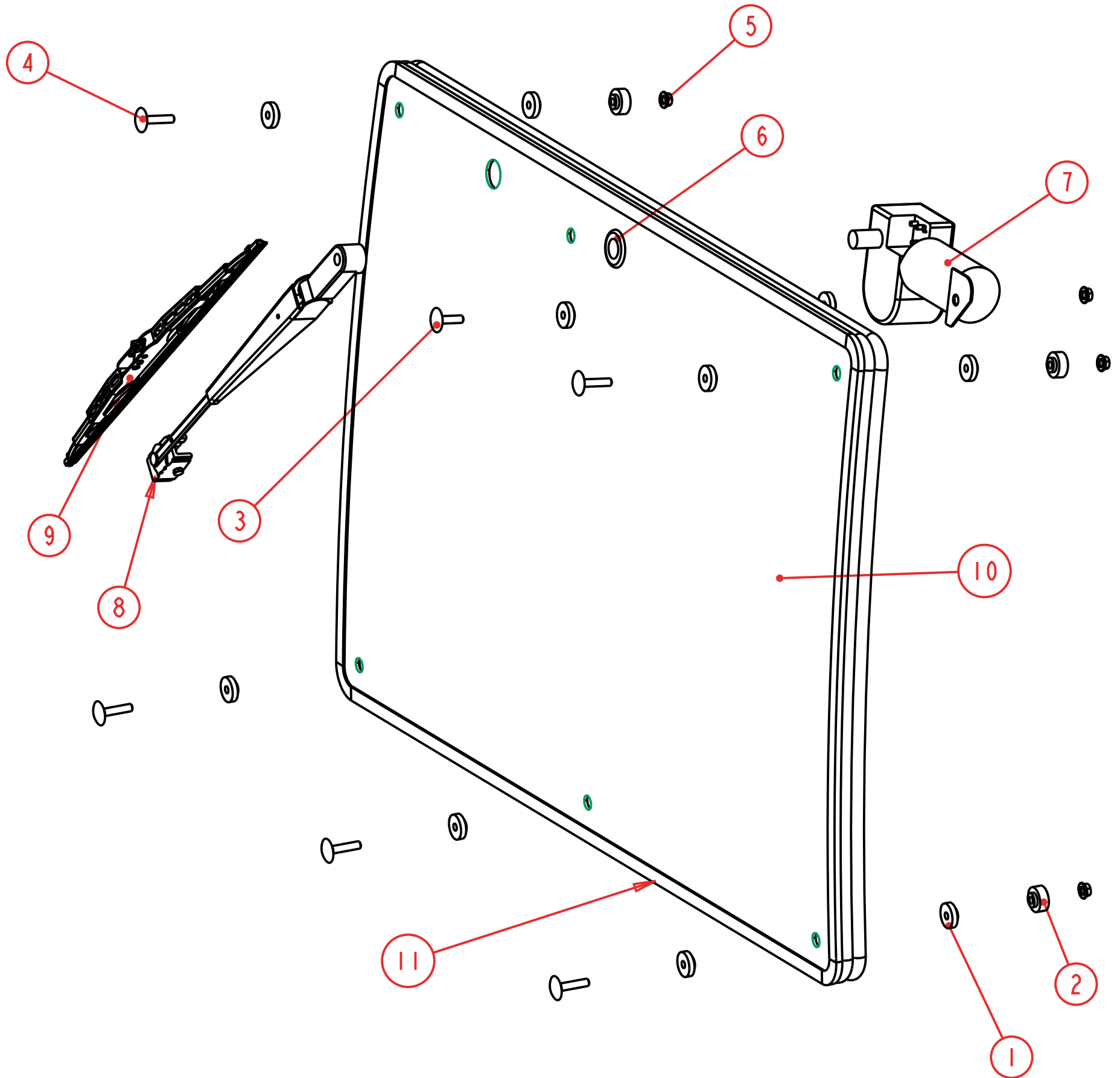
Before starting a tractor equipped with a Tektite ROPS cab:

1. Clear the operator platform of all tools. Tools left in or around the ROPS and tractor can cause operator interference which could lead to bodily injury and/or damage the machine.
2. Inspect the ROPS and tractor to ensure all bolts are tight and re-tighten if required.
3. Ensure that all pedals, levers, and controls have adequate clearance for normal operation.
4. Ensure that all electrical components of both the ROPS and tractor operate normally.
5. Ensure your door latches properly onto the striker pin. Immediately after installation, the ROPS frame may flex slightly from installation, and the door latch will need to be re-aligned for proper operation. Loosen the striker pin, striker mounting plate and door latch as necessary to get a proper alignment of the door striker.

Service Parts Breakdowns:

Following are parts breakdowns for components that may require service parts replacement during the life of the ROPS. If you require replacement parts, please contact the dealer that you purchased the ROPS from and indicate which parts you require.

Index	Service Part #	File Name	Description	Qty
1	A00-0013	TEKT-0009	5MM Bushing	12
2	A00-0014	THICK-BUSHING	8MM Bushing	5
3	A00-0019	STEP-BOLT1-4X1	Step Bolt, 1/4" x 1", MB	1
4	A00-0020	STEP-BOLT1-4X1-1-4	Step Bolt, 1/4" x 1 1/4", MB	5
5	A00-0021	FLANGE-NUT-1-4	Flange Nut, 1/4", YD	6
6	A00-0033	315-080	Rear Wiper Shaft Grommet	1
7	A00-0043	WWF-MOTOR	WWF Wiper Motor, 1" Shaft	1
8	A00-0463	TEKT-ASM-069	Wiper Blade, 12", 2020	1
9	A00-0583	TEKT-ASM-100	WWF, Adjustable Radial Arm, J-Hook, Short	1
10	K02-0007	KUBX-016	Windshield Glass	1
11	K02-0008	KUBX-067	Windshield Seal	1



SCALE 0.250

Notice of Confidentiality

This material is property of Tektite Manufacturing Inc and is not to be used by the recipient for any purpose other than the purpose for which it was transmitted. The material remains the property of Tektite and shall be returned upon request. The material may not be reproduced or disclosed to third parties without the written consent of Tektite.

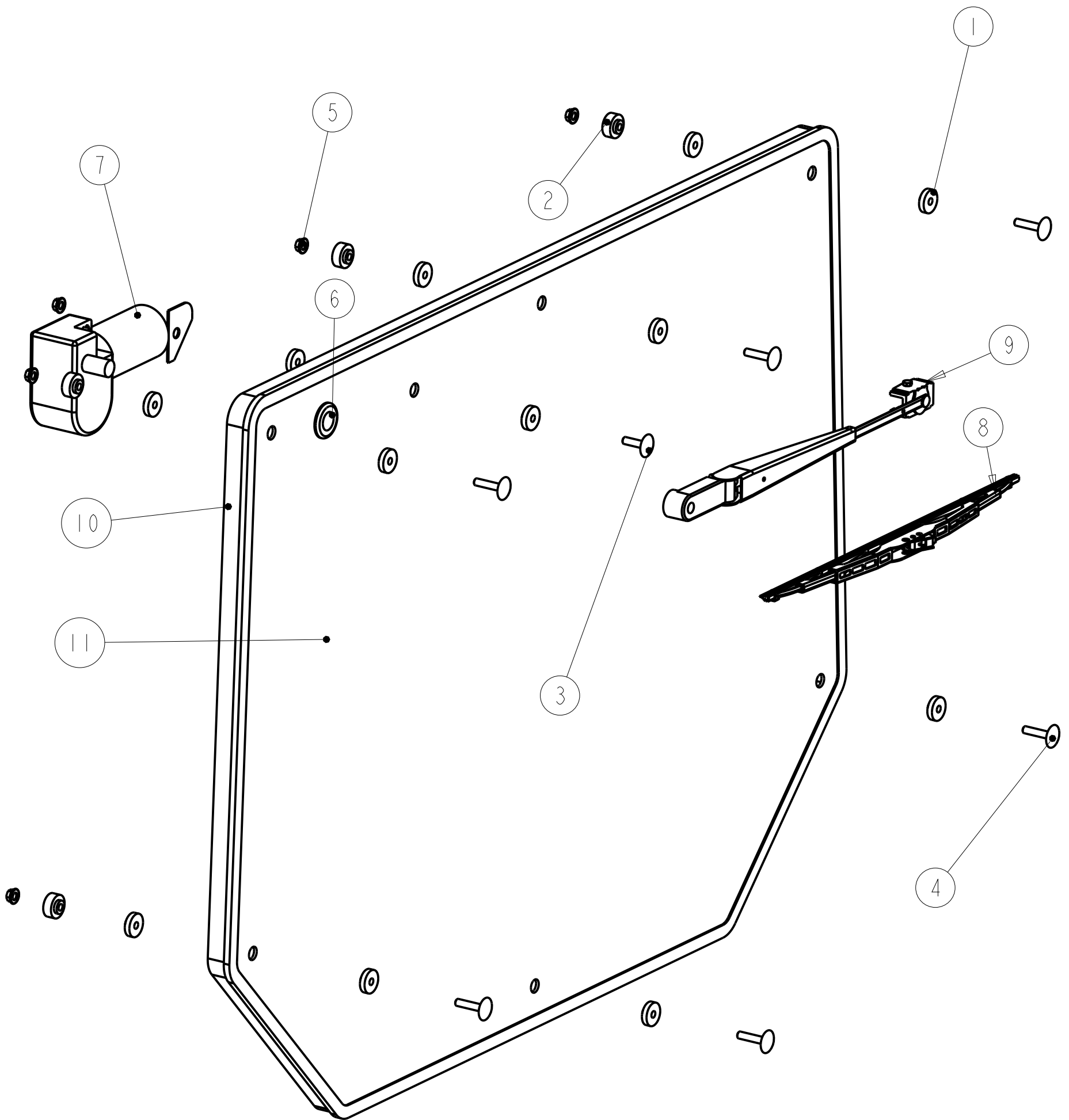
Tolerances:
Unless otherwise specified
X.X = ±1/16"
Angular = ± 1.0°

Tektite Manufacturing Inc.

427 Buffalo Str, Box 639, Winkler MB, R6W 4A8, Canada

Req'd:	CNC:	Description: Windshield Breakdown	
Drawn By: <i>Daryl Furkalo</i>	Date: 2025-03-19	Units: Imp.	File Name: KUBX-ASM-020_OPMANUAL
Checked By:	Date:	Size: B	

Index	Service Part #	File Name	Description	Qty
1	A00-0013	TEKT-0009	5MM Bushing	14
2	A00-0014	THICK-BUSHING	8MM Bushing	6
3	A00-0019	STEP-BOLT1-4X1	Step Bolt, 1/4" x 1", MB	1
4	A00-0020	STEP-BOLT1-4X1-1-4	Step Bolt, 1/4" x 1 1/4", MB	6
5	A00-0021	FLANGE-NUT-1-4	Flange Nut, 1/4", YD	7
6	A00-0033	315-080	Rear Wiper Shaft Grommet	1
7	A00-0043	WWF-MOTOR	WWF Wiper Motor, 1" Shaft	1
8	A00-0430	TEKT-ASM-073	Wiper Blade, 16", J-Hook	1
9	A00-0583	TEKT-ASM-100	WWF, Adjustable Radial Arm, J-Hook, Short	1
10	K02-0021	KUBX-086	Rear Window Seal	1
11	K02-0024	KUBX-093	Rear Window Glass V2	1



Tektite Manufacturing Inc.
427 Buffalo Str, Box 639, Winkler MB, R6W 4A8, Canada

Notice of Confidentiality

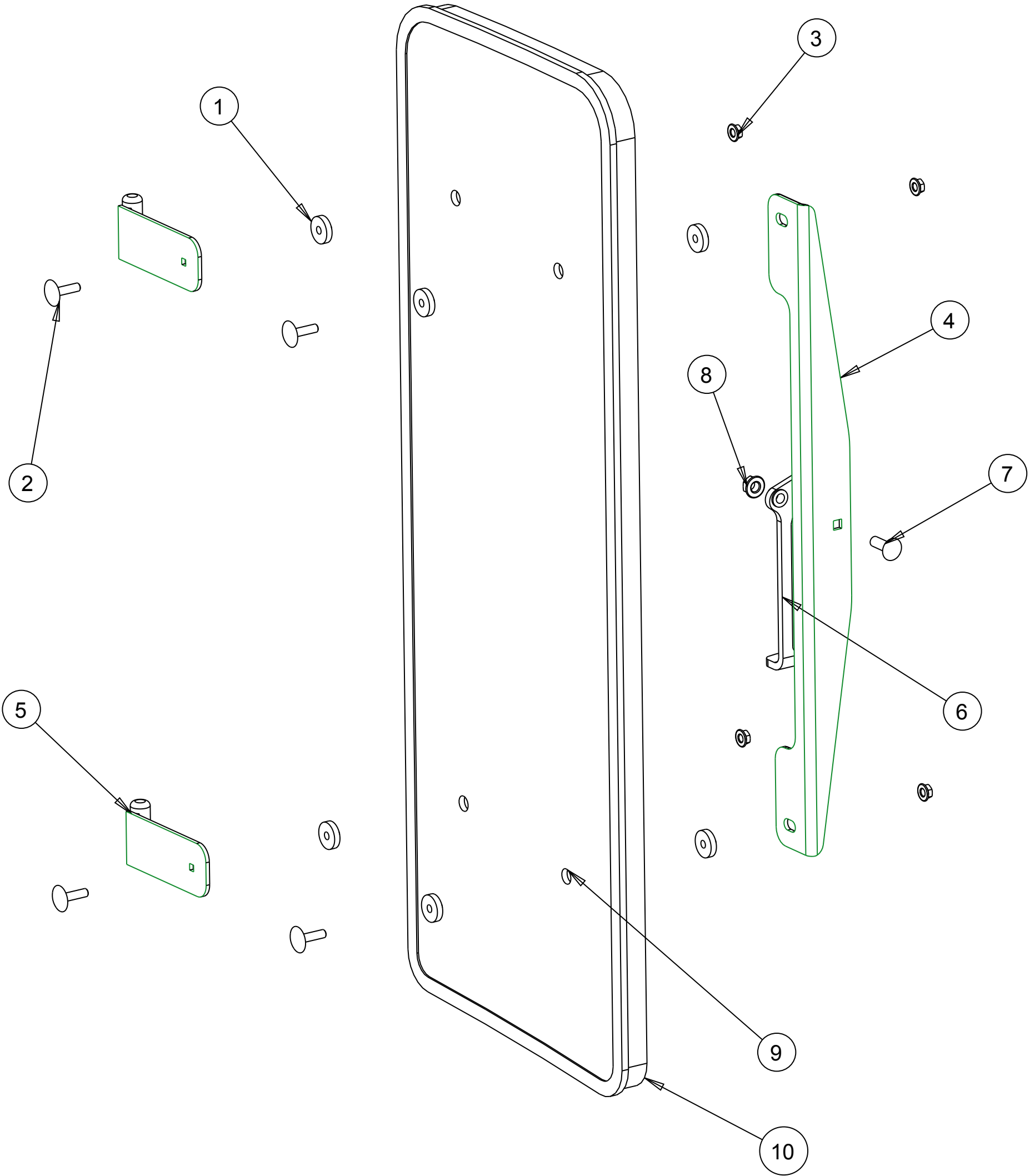
This material is property of Tektite Manufacturing Inc and is not to be used by the recipient for any purpose other than the purpose for which it was transmitted. The material remains the property of Tektite and shall be returned upon request. The material may not be reproduced or disclosed to third parties without the written consent of Tektite.

Tolerances:
Unless otherwise specified
X.X = ±1/16"
Angular = ± 1.0°

Req'd:	CNC:	Description: Rear Window Assembly	
Drawn By: <i>Daryl Furkalo</i>	Date: 2025-03-19	Units: Imp.	File Name: KUBX-ASM-019_OPMANUAL
Checked By:	Date:	Size: B	



Index	Service Part #	File Name	Description	Qty
1	A00-0013	TEKT-0009	5MM Bushing	8
2	A00-0019	STEP-BOLT1-4X1	Step Bolt, 1/4" x 1", MB	4
3	A00-0021	FLANGE-NUT-1-4	Flange Nut, 1/4", YD	4
4	A00-0045	TEKT-0004	Side Window Slider Bracket	1
5	A00-0046	TEKT-ASM-002R	Side Window Hinge Right	2
6	A00-0056	TEKT-0020	Side Window Latch, L60775	1
7	A00-0058	CARRIAGE_BOLT-5-16X1	Bolt, Carriage, 5/16"x 1", YD	1
8	A00-0059	FLANGE-NUT-5-16	Flange Nut, 5/16", YD	1
9	K02-0015	KUBX-072	Side Window Glass	1
10	K02-0020	KUBX-085	Side Window Weather Seal	1



SCALE 0.300

Notice of Confidentiality

This material is property of Tektite Manufacturing Inc and is not to be used by the recipient for any purpose other than the purpose for which it was transmitted. The material remains the property of Tektite and shall be returned upon request. The material may not be reproduced or disclosed to third parties without the written consent of Tektite.

Tolerances:

Unless otherwise specified

X.X = ± 1/16"
Angular = ± 1.0 °

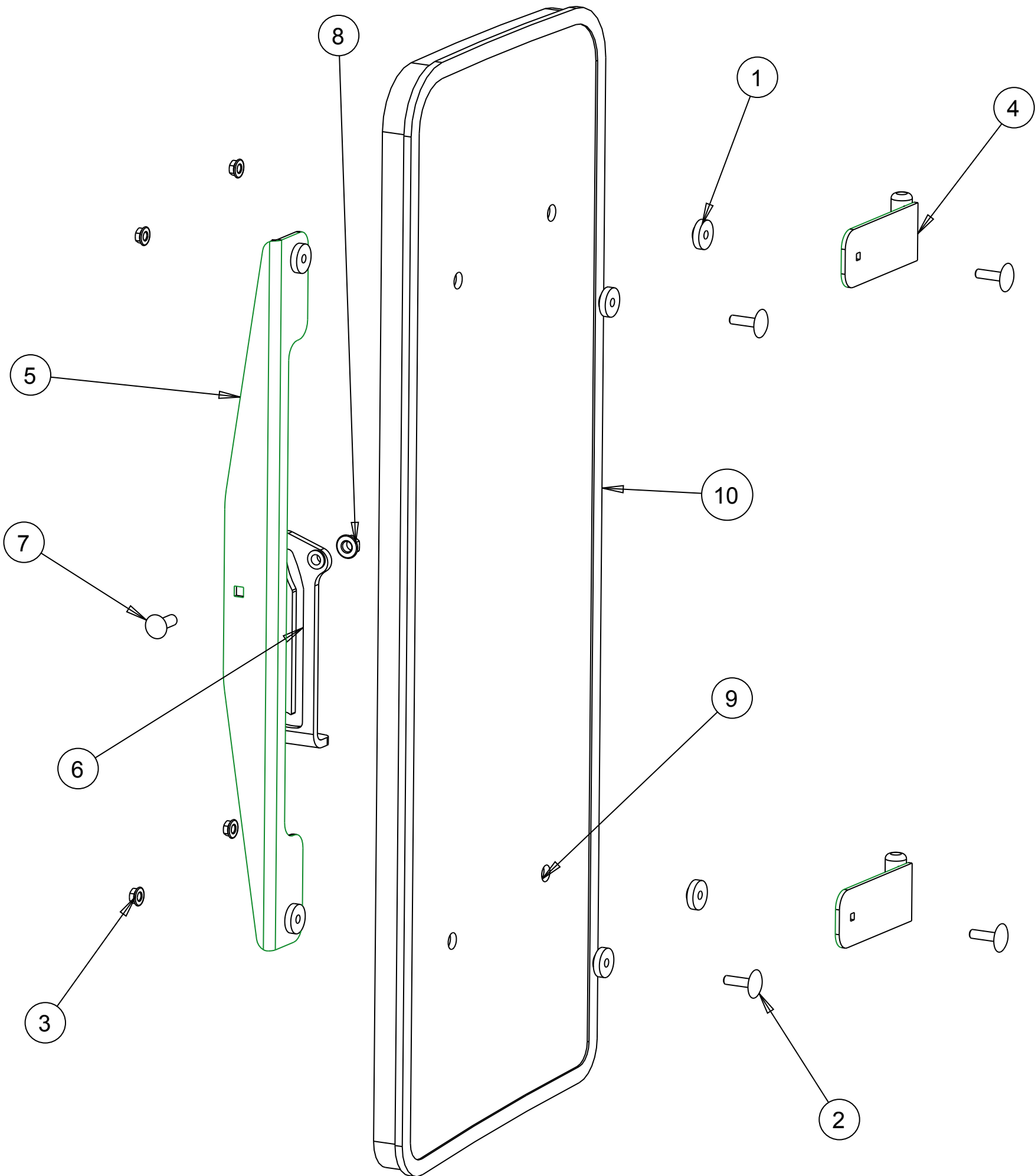
Tektite Manufacturing Inc.

24157 Hwy 3, Box 639, Winkler MB, R6W 4A8, Canada

Req'd:		CNC:		Description: Right Side Window Breakdown	
Drawn By: Daryl Furkalo		Date: 2009-10-16		Units: File Name: Imp. KUBX-ASM-018_OPMANUAL	
Checked By:		Date:		Size: B	



Index	Service Part #	File Name	Description	Qty
1	A00-0013	TEKT-0009	5MM Bushing	8
2	A00-0019	STEP-BOLT1-4X1	Step Bolt, 1/4" x 1", MB	4
3	A00-0021	FLANGE-NUT-1-4	Flange Nut, 1/4", YD	4
4	A00-0044	TEKT-ASM-002	Side Window Hinge Weldment	2
5	A00-0045	TEKT-0004	Side Window Slider Bracket	1
6	A00-0057	TEKT-0020MIR	Side Window Latch, L60776	1
7	A00-0058	CARRIAGE_BOLT-5-16X1	Bolt, Carriage, 5/16"x 1", YD	1
8	A00-0059	FLANGE-NUT-5-16	Flange Nut, 5/16", YD	1
9	K02-0015	KUBX-072	Side Window Glass	1
10	K02-0020	KUBX-085LT	Side Window Weather Seal	1



SCALE 0.300
Notice of Confidentiality

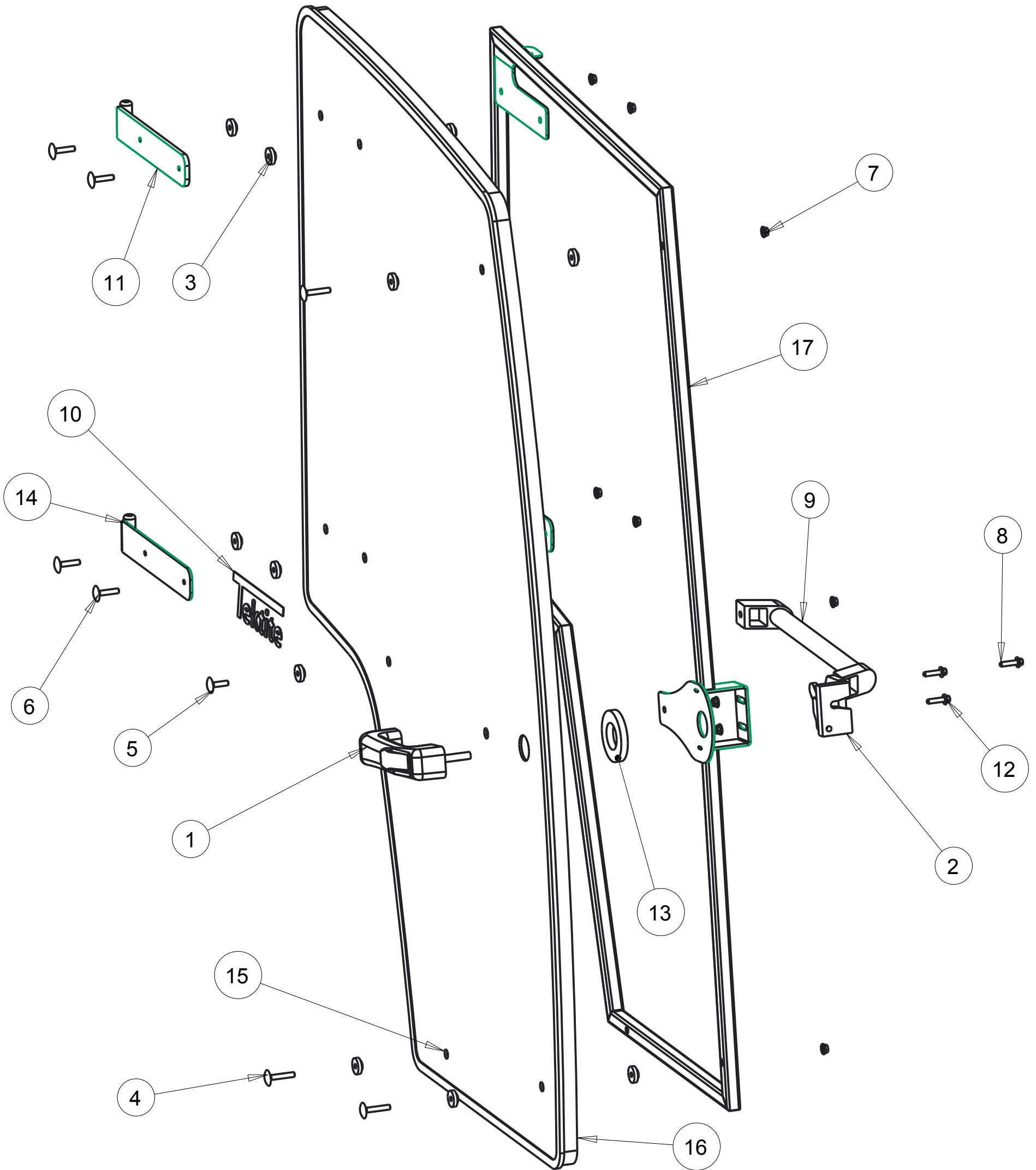
This material is property of Tektite Manufacturing Inc and is not to be used by the recipient for any purpose other than the purpose for which it was transmitted. The material remains the property of Tektite and shall be returned upon request. The material may not be reproduced or disclosed to third parties without the written consent of Tektite.

Tolerances:
Unless otherwise specified
X.X = ± 1/16"
Angular = ± 1.0 °

Tektite Manufacturing Inc. 24157 Hwy 3, Box 639, Winkler MB, R6W 4A8, Canada			
Req'd:	CNC:	Description: Left Side Window Breakdown	
Drawn By: Daryl Furkalo	Date: 2009-10-16	Units: Imp.	File Name: KUBX-ASM-017_OPMANUAL
Checked By:	Date:	Size: B	



Index	Service Part #	File Name	Description	Qty
1	A00-0001	DLP-HANDLE	Outside Push Button Handle	1
2	A00-0003	RIGHT-LATCH	Suicide Door Right Latch	1
3	A00-0013	TEKT-0009	5MM Bushing	16
4	A00-0018	STEP-BOLT1-4X1-1-2	Step Bolt, 1/4" x 1 1/2", MB	3
5	A00-0019	STEP-BOLT1-4X1	Step Bolt, 1/4" x 1", MB	1
6	A00-0020	STEP-BOLT1-4X1-1-4	Step Bolt, 1/4" x 1 1/4", MB	4
7	A00-0021	FLANGE-NUT-1-4	Flange Nut, 1/4", YD	10
8	A00-0022	FLANGE_BOLT_M6X25	Flange Bolt, M6x25, YD	1
9	A00-0040	REID-RST-160-RST-163	Grab Handle	1
10	A00-0041	TEKTITE-DECAL	Tektite Cab Decal - Solid White	1
11	A00-0042	TEKT-ASM-001R	Right Cab Door Hinge Weldment, Upper	1
12	A00-0118	FLANGE_BOLT_1-4X1	Flange Bolt, 1/4" x 1", YD	2
13	A00-0177	TEKT-0068	Handle Washer Spacer	1
14	A00-0229	TEKT-ASM-029R	Right Door Hinge Weldment, Lower	1
15	K02-0014	KUBX-071	Door Glass	1
16	K02-0018	KUBX-084R	Right Door Weather Seal	1
17	K02-0019	KUBX-ASM-014_RT	Deluxe Door Frame Weldment Right	1



SCALE 0.180

Notice of Confidentiality

This material is property of Tektite Manufacturing Inc and is not to be used by the recipient for any purpose other than the purpose for which it was transmitted. The material remains the property of Tektite and shall be returned upon request. The material may not be reproduced or disclosed to third parties without the written consent of Tektite.

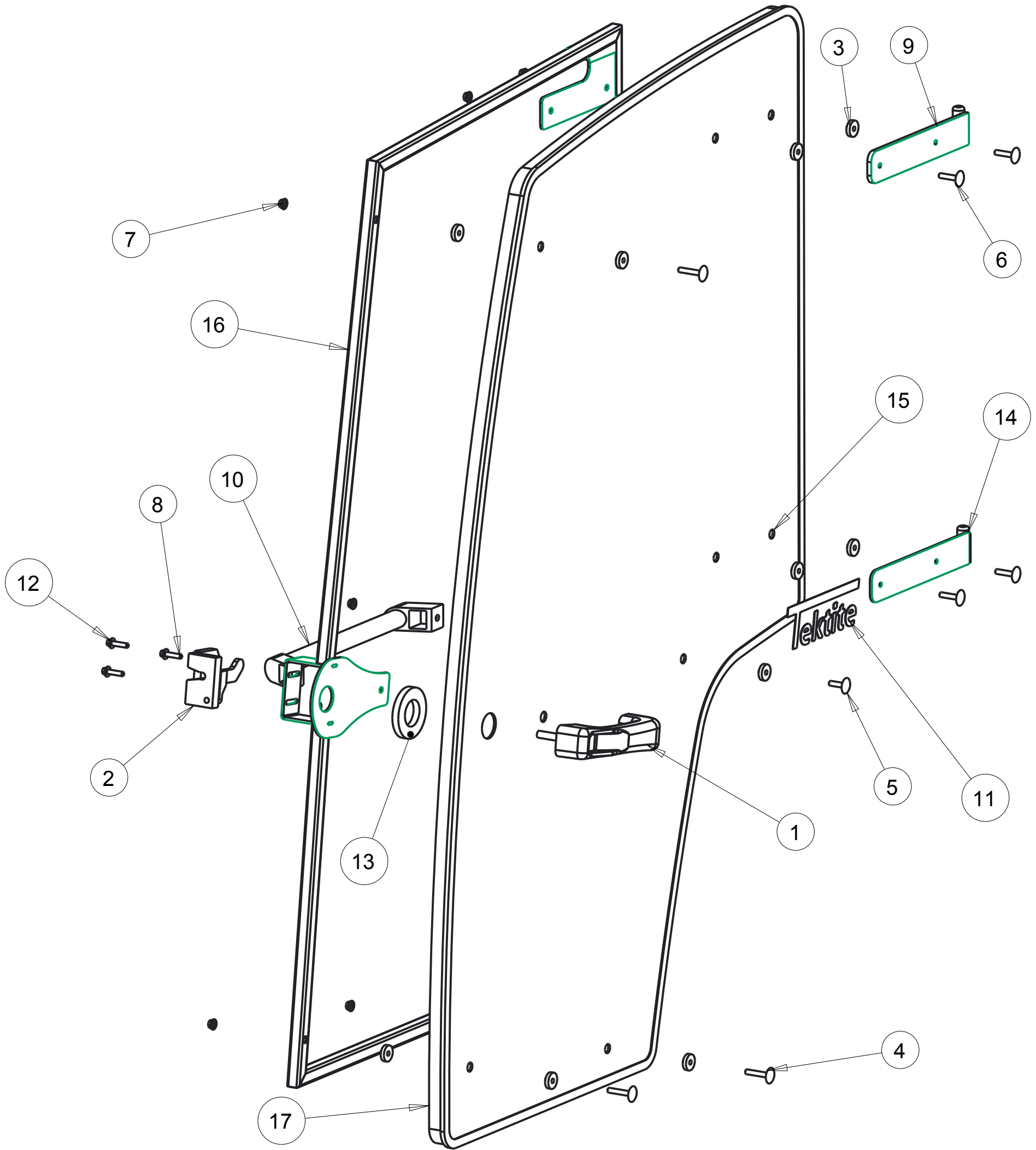
Tolerances:
Unless otherwise specified
X.X = ± 1/16"
Angular = ± 1.0°

Tektite Manufacturing Inc.
24157 Hwy 3, Box 639, Winkler MB, R6W 4A8, Canada

Req'd:	CNC:	Description: Right Door Assembly	
Drawn By: <i>Daryl Furkalo</i>	Date: 2014-04-02	Units: Imp.	File Name: KUBX-ASM-013_RIGHT_OPMANUAL
Checked By:	Date:	Size: B	



Index	Service Part #	File Name	Description	Qty
1	A00-0001	DLP-HANDLE	Outside Push Button Handle	1
2	A00-0002	LEFT-LATCH	Suicide Door Left Latch	1
3	A00-0013	TEKT-0009	5MM Bushing	16
4	A00-0018	STEP-BOLT1-4X1-1-2	Step Bolt, 1/4" x 1 1/2", MB	3
5	A00-0019	STEP-BOLT1-4X1	Step Bolt, 1/4" x 1", MB	1
6	A00-0020	STEP-BOLT1-4X1-1-4	Step Bolt, 1/4" x 1 1/4", MB	4
7	A00-0021	FLANGE-NUT-1-4	Flange Nut, 1/4", YD	10
8	A00-0022	FLANGE_BOLT_M6X25	Flange Bolt, M6x25, YD	1
9	A00-0039	TEKT-ASM-001	Left Door Hinge Weldment, Upper	1
10	A00-0040	REID-RST-160-RST-163	Grab Handle	1
11	A00-0041	TEKTITE-DECAL	Tektite Cab Decal - Solid White	1
12	A00-0118	FLANGE_BOLT_1-4X1	Flange Bolt, 1/4" x 1", YD	2
13	A00-0177	TEKT-0068	Handle Washer Spacer	1
14	A00-0228	TEKT-ASM-029	Left Door Hinge Weldment, Lower	1
15	K02-0014	KUBX-071	Door Glass	1
16	K02-0016	KUBX-ASM-014	Deluxe Door Frame Weldment Left	1
17	K02-0017	KUBX-084	Left Door Weather Seal	1



SCALE 0.180

Notice of Confidentiality

This material is property of Tektite Manufacturing Inc and is not to be used by the recipient for any purpose other than the purpose for which it was transmitted. The material remains the property of Tektite and shall be returned upon request. The material may not be reproduced or disclosed to third parties without the written consent of Tektite.

Tolerances:

Unless otherwise specified

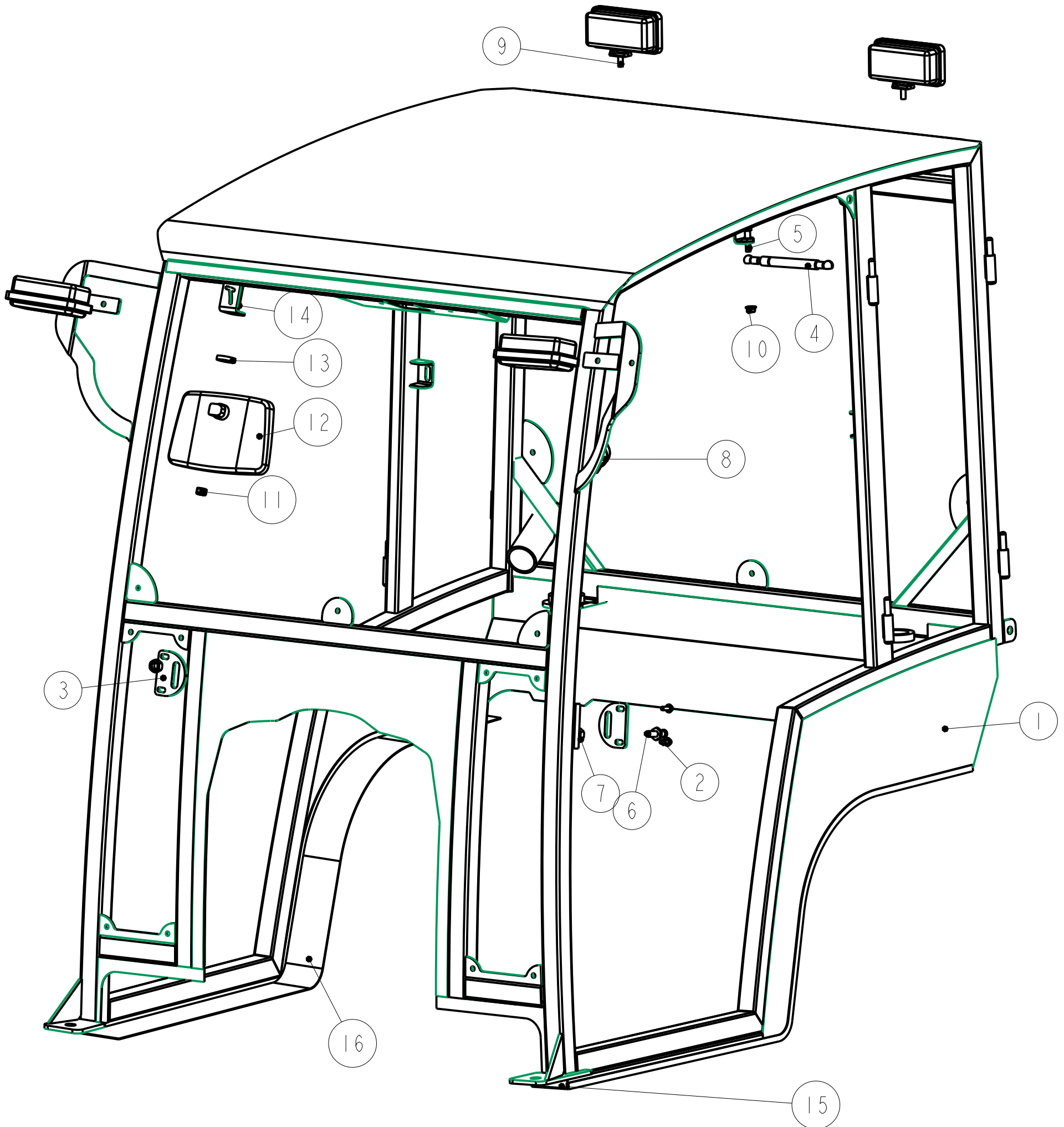
X.X = ± 1/16"
Angular = ± 1.0°

Tektite Manufacturing Inc.

24157 Hwy 3, Box 639, Winkler MB, R6W 4A8, Canada

Req'd: L&R	CNC:	Description: Left Door Parts Breakdown	
Drawn By: <i>Daryl Furkalo</i>	Date: 2014-04-02	Units: Imp.	File Name: KUBX-ASM-013_OPMANUAL
Checked By:	Date:	Size: B	

Index	Service Part #	File Name	Description	Qty
1		KUBX-ASM-030	Shielding Weldment	1
2	A00-0023	FLANGE_BOLT_1-4X3-4	Flange Bolt, 1/4" x 3/4", YD	4
3	A00-0061	TEKT-0021	Striker Mounting Plate	2
4	A00-0084	TEKT-0070	Gas Shock	2
5	A00-0085	TEKT-0069	Gas Shock Stud	2
6	A00-0101	STRIKER-PIN	Striker Pin	2
7	A00-0103	HEX-NUT-M12X1	Hex Nut, M12 x 1.0, YD	2
8	A00-0131	TEKT-0181	External Fuel Cap	1
9	A00-0371	TEKT-0175	New LED Work Light (Blazer Intl)	4
10	A00-0413	FLANGE-NUT-5-16	Flange Nut, 5/16", YD	2
11	A00-0521	M12X1_75-NYLOCK-NUT	Nylon Lock Nut, M12 x 1.75	1
12	A00-0535	TEKT-0249	Rectangular Interior Mirror	1
13	A00-0536	TEKT-0250	Spacer For Interior Mirror	1
14	A00-0537	CARRIAGE_BOLT_M12X50	Carriage Bolt, M12 x 50	1
15	K02-0025	KUBX-110	Side Panel Seal, 5 FT	1
16	K02-0025	KUBX-110R	Side Panel Seal, 5 FT	1



Tektite Manufacturing Inc.
427 Buffalo Str, Box 639, Winkler MB, R6W 4A8, Canada

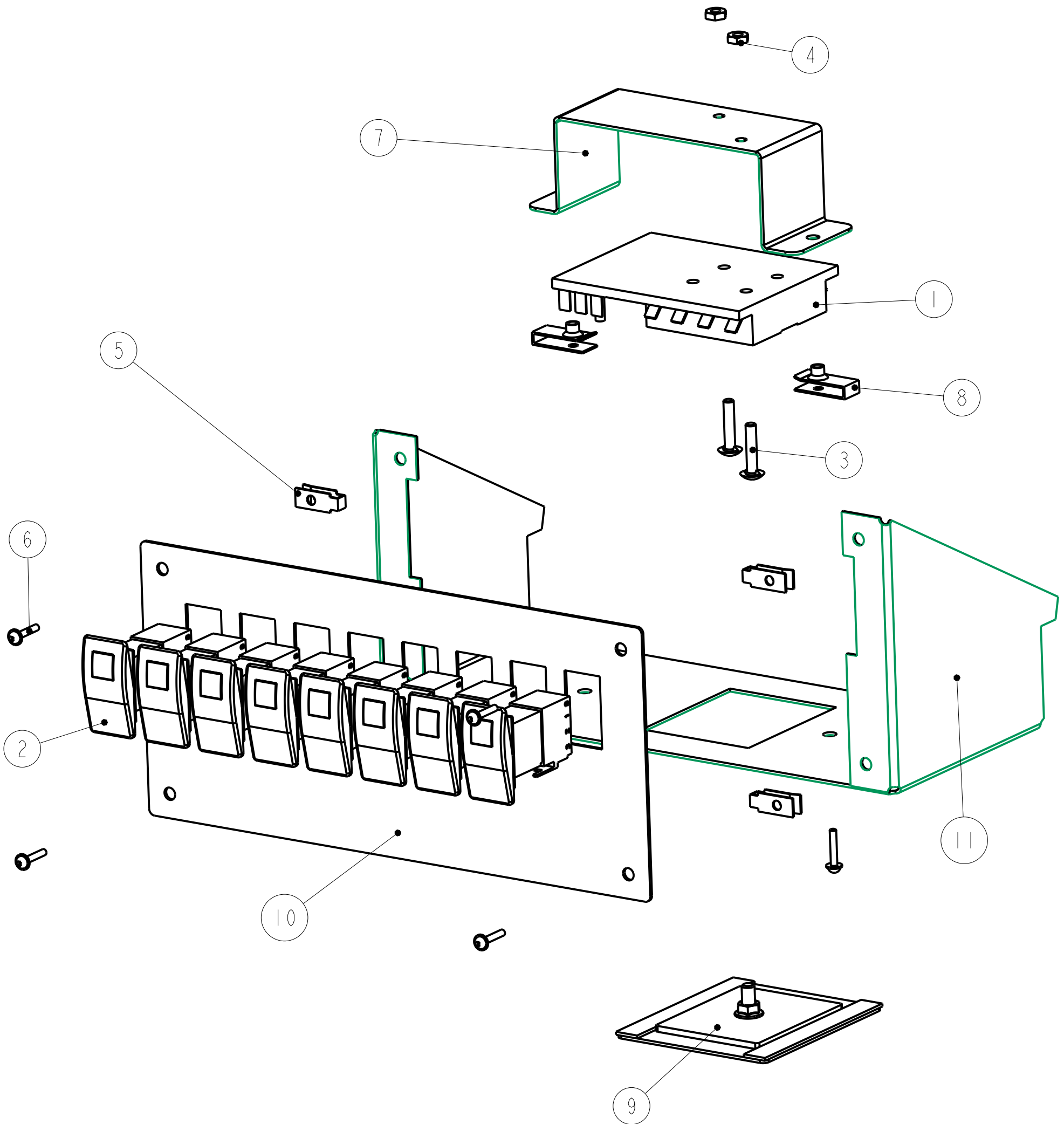
Notice of Confidentiality

This material is property of Tektite Manufacturing Inc and is not to be used by the recipient for any purpose other than the purpose for which it was transmitted. The material remains the property of Tektite and shall be returned upon request. The material may not be reproduced or disclosed to third parties without the written consent of Tektite.

Tolerances:
Unless otherwise specified
X.X = ±1/16"
Angular = ± 1.0°

Req'd:	CNC:	Description: Cab Accessories	
Drawn By: <i>Daryl Furkalo</i>	Date: 2025-03-19	Units: Imp.	File Name: KUBX-ASM-024_OP
Checked By:	Date:	Size: B	

Index	Service Part #	File Name	Description	Qty
1	A00-0024	BUSS-15600-08-11	Power Block/Ground	1
2	A00-0065	TEKT-ASM-005	On-Off Switch w/Lens	8
3	A00-0180	BOLT_10-32X1	Fuse Block Bolts	2
4	A00-0181	HEX-NUT-10-32	Fuse Block Nuts	2
5	A00-0218	TEKT-0218	10-24 Panel Nut	4
6	A00-0354	SCREW-10-24X3-4	Screw, 10-24 x 3/4",MB	6
7	A00-0418	TEKT-0010	Fuse Block Retainer Bracket	1
8	A00-0494	TEKT-0221	10-24 Panel Nut, Thick	2
9	A00-0531	TEKT-ASM-086	2023 Fuse Cover, Magnet Assembly	1
10	A00-0539	TEKT-0248	Switch Plate, V5 ST	1
11	n/a	TEKT-0247	Switchplate Mount V7	1



Tektite Manufacturing Inc.
427 Buffalo Str, Box 639, Winkler MB, R6W 4A8, Canada

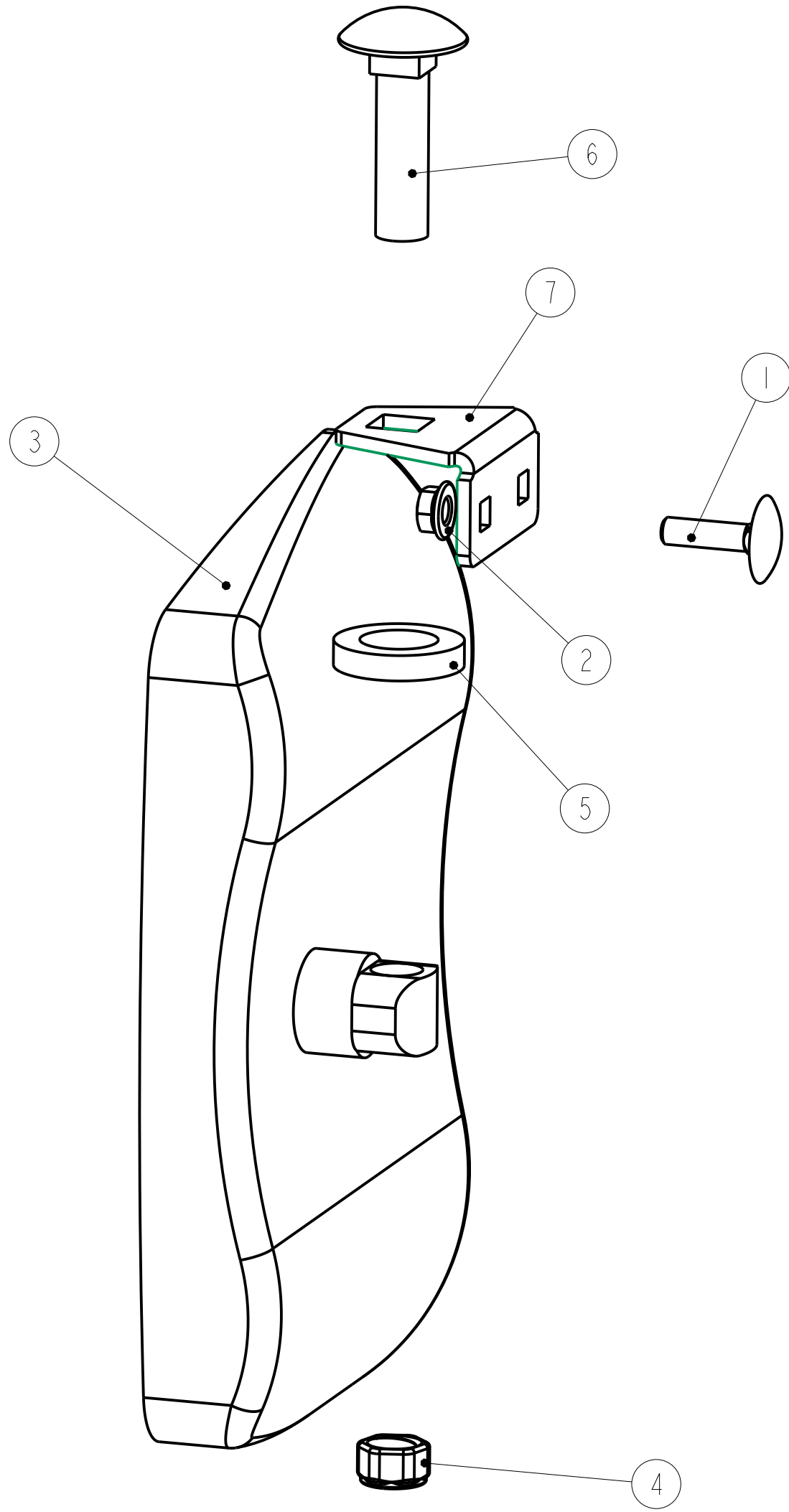
Notice of Confidentiality

This material is property of Tektite Manufacturing Inc and is not to be used by the recipient for any purpose other than the purpose for which it was transmitted. The material remains the property of Tektite and shall be returned upon request. The material may not be reproduced or disclosed to third parties without the written consent of Tektite.

Tolerances:
Unless otherwise specified
X.X = ±1/16"
Angular = ± 1.0°

Req'd: 1 req	CNC:	Description: 2023 Steel Top Fuse Block Assembly	
Drawn By: <i>Daryl Furkalo</i>	Date: 2023-06-02	Units: Imp.	File Name: TEKT-ASM-088_OP
Checked By:	Date:	Size: B	

Index	Service Part #	File Name	Description	Qty
1	A00-0019	STEP-BOLT1-4X1	Step Bolt, 1/4" x 1", MB	1
2	A00-0021	FLANGE-NUT-1-4	Flange Nut, 1/4", YD	1
3	A00-0519	TEKT-0244	Rectangular Mirror	1
4	A00-0521	M12X1.75_NYLOCK_NUT	Nylon Lock Nut, M12 x 1.75	1
5	A00-0536	TEKT-0250	Spacer For Interior Mirror	1
6	A00-0537	CARRIAGE_BOLT_M12X50	Carriage Bolt, M12 x 50	1
7	A00-0582	TEKT-0270	Plastic Top Mirror Magic	1



Notice of Confidentiality

This material is property of Tektite Manufacturing Inc and is not to be used by the recipient for any purpose other than the purpose for which it was transmitted. The material remains the property of Tektite and shall be returned upon request. The material may not be reproduced or disclosed to third parties without the written consent of Tektite.

Tolerances:
 Unless otherwise specified
 X.X = $\pm 1/16"$
 Angular = $\pm 1.0^\circ$

Tektite Manufacturing Inc. 427 Buffalo Str, Box 639, Winkler MB, R6W 4A8, Canada			
Req'd: L&R	CNC:	Description: Exterior Mirror L&R Assembly	
Drawn By: <i>Ana Laura Peters</i>	Date: 2025-03-05	Units: Imp.	File Name: TEKT-ASM-099_OP
Checked By: Daryl Furkalo	Date: 2025-03-19	Size: B	